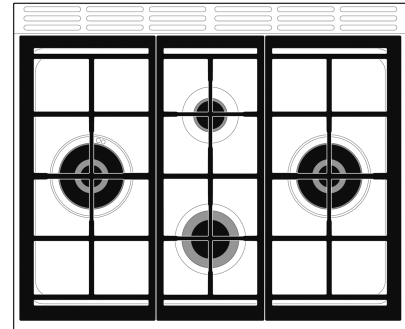


Range 30"

CPF30UGMR

Red

Portofino



Cooktop technical features

Cooking zones	4
Left - Gas - Dual ultra-rapid - 20000 BTU	
Front-center - Gas - Semi-rapid - 8000 BTU	
Rear-center - AUX - 4500 BTU	
Right - Gas - Ultra-rapid - 20000 BTU	
Automatic gas ignition	Yes
Gas safety valves	Yes

Programs / Functions

No. of cooking functions	9
--------------------------	---

Main oven options

Minimum Temperature	120 °F
Maximum temperature	500 °F

Compact- design cooker with electric oven and gas hob: efficient and responsive, the visible heat source allows total control and choice of the right intensity.

Features

Gas hob - Gas provides permanent control of the heat source and the temperature change is immediate

Touch control - Easy and intuitive timer setting with a single touch

Storage compartment - More space thanks to the lower compartment, ideal for storing accessories or cooking utensils

True-convection - The best cooking performances guaranteed by ventilated circular flow.

Tangential cooling - New cooling system with tangential fan and airflow from the door to the splashback

Soft close - The door is equipped with a specific system for silent closing

Main Oven Technical Features

Volume	0.13 cu. ft.
Cavity material	EverClean enamel
No. of shelves	4
Removable inner door	Yes
Total no. of door glasses	3
Soft Close system	Yes

Included accessories

Oven wire rack	1
----------------	---

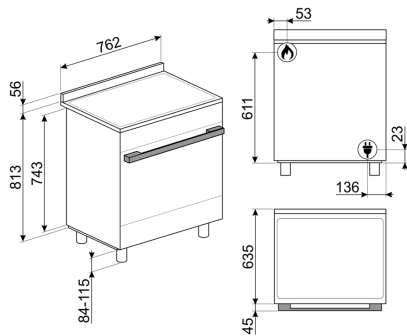
Electrical Connection

Plug	No
Circuit breaker	20 A
Voltage	240/208 V
Frequency	60 Hz

Logistic Information

Width	30 1/16 "
Depth	25 1/16 "
Height	36 1/16 "
Net weight	233 lbs

Product dimension drawing



Accessories

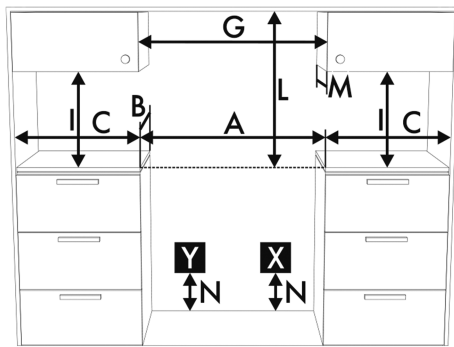


GT91P
Partially extractable telescopic guides suitable for 90 cm Master and Sinfonia cookers



PALPZ
Pizza shovel with fold away handle

Product installation drawing



A	1220 mm	48 1/16"
B	636 mm	25"
C¹	216 mm	8 1/2"
G²	1220 mm	48 1/16"
l³	457 mm	18"
L⁴	610 mm	24"
M⁵	330 mm	13"
N	178 mm	7"