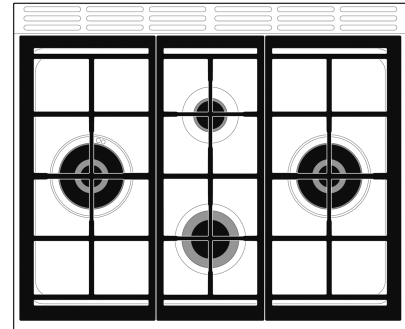


Range 30"

CPF30UGMYW

Yellow

Portofino



Cooktop technical features

| | |
|--|-----|
| Cooking zones | 4 |
| Left - Gas - Dual ultra-rapid - 20000 BTU | |
| Front-center - Gas - Semi-rapid - 8000 BTU | |
| Rear-center - AUX - 4500 BTU | |
| Right - Gas - Ultra-rapid - 20000 BTU | |
| Automatic gas ignition | Yes |
| Gas safety valves | Yes |

Programs / Functions

| | |
|--------------------------|---|
| No. of cooking functions | 9 |
|--------------------------|---|

Main oven options

| | |
|---------------------|--------|
| Minimum Temperature | 120 °F |
| Maximum temperature | 500 °F |

Compact- design cooker with electric oven and gas hob: efficient and responsive, the visible heat source allows total control and choice of the right intensity.

Features

Gas hob - Gas provides permanent control of the heat source and the temperature change is immediate

Touch control - Easy and intuitive timer setting with a single touch

Storage compartment - More space thanks to the lower compartment, ideal for storing accessories or cooking utensils

True-convection - The best cooking performances guaranteed by ventilated circular flow.

Tangential cooling - New cooling system with tangential fan and airflow from the door to the splashback

Soft close - The door is equipped with a specific system for silent closing

Main Oven Technical Features

| | |
|---------------------------|------------------|
| Volume | 0.13 cu. ft. |
| Cavity material | EverClean enamel |
| No. of shelves | 4 |
| Removable inner door | Yes |
| Total no. of door glasses | 3 |
| Soft Close system | Yes |

Included accessories

| | |
|----------------|---|
| Oven wire rack | 1 |
|----------------|---|

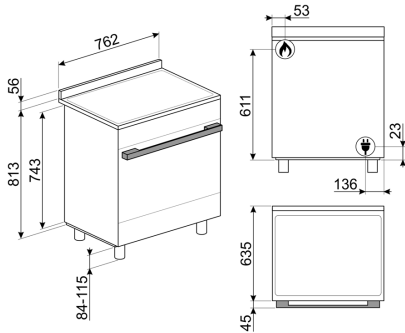
Electrical Connection

| | |
|-----------|-----------|
| Plug | No |
| Voltage | 240/208 V |
| Frequency | 60 Hz |

Logistic Information

| | |
|------------|-----------|
| Width | 30 1/16 " |
| Depth | 25 1/16 " |
| Height | 36 1/16 " |
| Net weight | 233 lbs |

Product dimension drawing



Accessories



GT91P

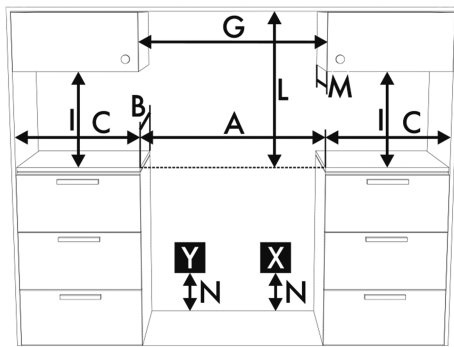
Partially extractable telescopic guides suitable for 90 cm Master and Sinfonia cookers



PALPZ

Pizza shovel with fold away handle

Product installation drawing



| | | |
|----------------|---------|----------|
| A | 1220 mm | 48 1/16" |
| B | 636 mm | 25" |
| C ¹ | 216 mm | 8 1/2" |
| G ² | 1220 mm | 48 1/16" |
| I ³ | 457 mm | 18" |
| L ⁴ | 610 mm | 24" |
| M ⁵ | 330 mm | 13" |
| N | 178 mm | 7" |