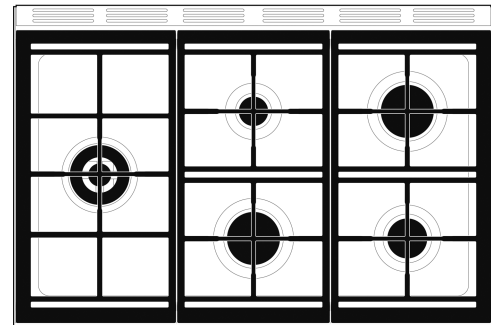


Range 36"

CPF36UGGWH

White
Full Gas



Cooktop technical features

Cooking zones	5
Left - Gas - Dual ultra-rapid - 20000 BTU	
Rear-center - Gas - AUX - 4500 BTU	
Front-center - Gas - Rapid - 10500 BTU	
Rear-right - Gas - Rapid - 12000 BTU	
Front-right - Gas - Semi-rapid - 8000 BTU	
Automatic gas ignition	Yes
Gas safety valves	Yes

Aesthetic

Color	White
-------	-------

General information

Range size	36"
Range type	Full Gas

Compact- design range with gas oven and gas cooktop: efficient and responsive, the visible heat source allows total control and choice of the right intensity.

Features

Touch control - Easy and intuitive timer setting with a single touch

Tangential cooling - New cooling system with tangential fan and airflow from the door to the splashback

Gas hob - Gas provides permanent control of the heat source and the temperature change is immediate

Soft close - The door is equipped with a specific system for silent closing

Programs / Functions

No. of cooking functions	3
--------------------------	---

Main oven options

Minimum Temperature	120 °F
Maximum temperature	500 °F

Main Oven Technical Features

Volume	0.16 cu. ft.
Cavity material	EverClean enamel
No. of shelves	5
Removable inner door	Yes
Total no. of door glasses	3
Soft Close system	Yes

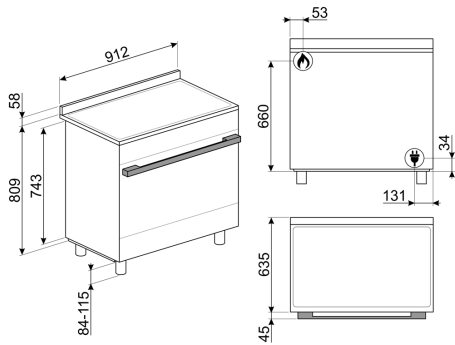
Electrical Connection

Circuit breaker	15 A
Voltage	120 V
Frequency	60 Hz

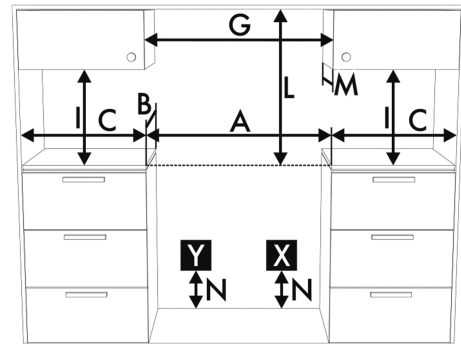
Logistic Information

Width	35 7/8 "
Depth	25 "
Height	36 "
Net weight	234 lbs

Product dimension drawing



Product installation drawing



A	1220 mm	48 1/16"
B	636 mm	25"
C ¹	216 mm	8 1/2"
G ²	1220 mm	48 1/16"
I ³	457 mm	18"
L ⁴	610 mm	24"
M ⁵	330 mm	13"
N	178 mm	7"

Accessories



GT3T
Total-extraction
telescopic guides



PALPZ
Pizza shovel with
fold away handle