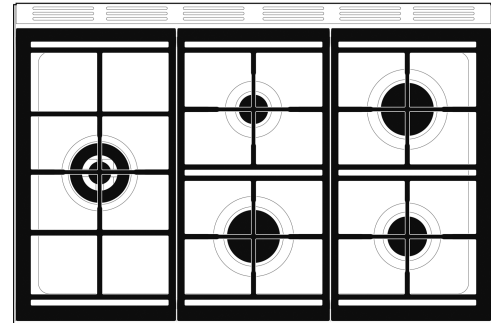


## Range 36"

CPF36UGMX  
Stainless steel  
Dual-Fuel



### Cooktop technical features

Cooking zones	5
Left - Gas - Dual ultra-rapid - 20000 BTU	
Rear-center - Gas - AUX - 4500 BTU	
Front-center - Gas - Rapid - 10500 BTU	
Rear-right - Gas - Rapid - 12000 BTU	
Front-right - Gas - Semi-rapid - 8000 BTU	
Automatic gas ignition	Yes
Gas safety valves	Yes

### Aesthetic

Color	Stainless steel
-------	-----------------

### General information

Range size	36"
Range type	Dual-Fuel

### Programs / Functions

Cleaning functions	VaporClean
No. of cooking functions	10

### Main oven options

Minimum Temperature	120 °F
Maximum temperature	500 °F

### Main Oven Technical Features

Volume	4.45 cu. ft.
Cavity material	EverClean enamel
No. of shelves	5
Removable inner door	Yes
Total no. of door glasses	3
Soft Close system	Yes

Compact- design range with electric oven and gas cooktop: efficient and responsive, the visible heat source allows total control and choice of the right intensity.

### Features

**Touch control** - Easy and intuitive timer setting with a single touch

**Tangential cooling** - New cooling system with tangential fan and airflow from the door to the splashback

**True-convection** - The best cooking performances guaranteed by ventilated circular flow.

**Gas hob** - Gas provides permanent control of the heat source and the temperature change is immediate

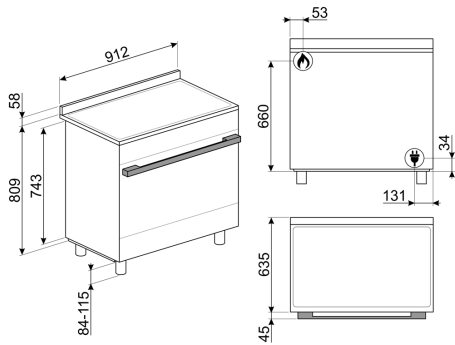
## Electrical Connection

Circuit breaker	20 A
Voltage	240/208 V
Frequency	60 Hz

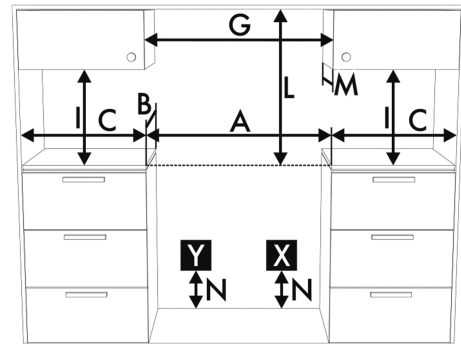
## Logistic Information

Width	35 7/8 "
Depth	25 "
Height	36 "
Net weight	230 lbs

## Product dimension drawing



## Product installation drawing



A	1220 mm	48 1/16"
B	636 mm	25"
C <sup>1</sup>	216 mm	8 1/2"
G <sup>2</sup>	1220 mm	48 1/16"
I <sup>3</sup>	457 mm	18"
L <sup>4</sup>	610 mm	24"
M <sup>5</sup>	330 mm	13"
N	178 mm	7"

## Accessories



**GT3T**  
Total-extraction telescopic guides



**PALPZ**  
Pizza shovel with fold away handle