

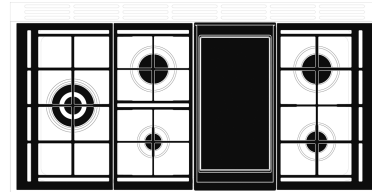
Range 48"

CPF48UGMBL

Black
Portofino



Soft close - The door is equipped with a specific system for silent closing



Cooktop technical features

Cooking zones	6
Left - 18000 BTU	
Rear-center - 12000 BTU	
Front-center - 4500 BTU	
Rear-right - 12000 BTU	
Front-right - 8000 BTU	
Center - 6500 BTU	
5500 (BBQ) BTU	
Gas safety valves	Yes

Programs / Functions

No. of cooking functions	9
Cleaning functions	VaporClean

Spacious and versatile cooker perfect for preparing several dishes at once, equipped with electric ovens and a gas hob: efficient and responsive, the visible heat source allows total control and the choice of the right intensity.

Features

Gas hob - Gas provides permanent control of the heat source and the temperature change is immediate

Ever Clean Enamel - Easy oven cleaning thanks to special pyrolytic enamel

Touch control - Easy and intuitive timer setting with a single touch

Storage compartment - More space thanks to the lower compartment, ideal for storing accessories or cooking utensils

True-convection - The best cooking performances guaranteed by ventilated circular flow.

Tangential cooling - New cooling system with tangential fan and airflow from the door to the splashback

Main oven options

Minimum Temperature	120 °F
Maximum temperature	500 °F

Main Oven Technical Features

Volume	0.16 cu. ft.
Cavity material	EverClean enamel
No. of shelves	5
Removable inner door	No
Total no. of door glasses	3
Soft Close system	Yes

Included accessories

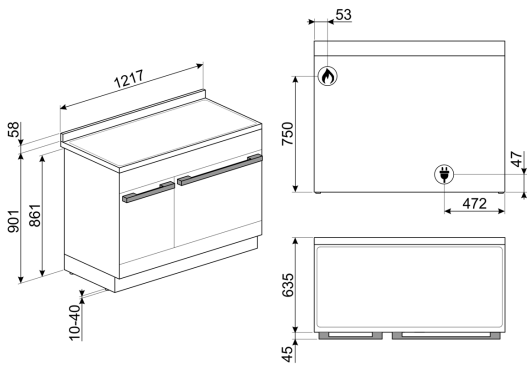
Electrical Connection

Plug	No
Voltage	240/208 V
Frequency	60 Hz

Logistic Information

Width	47 1/4 "
Depth	23 5/8 "
Height	35 7/16 "
Net weight	339 lbs

Product dimension drawing



Accessories



GTT
Total-extension telescopic guides

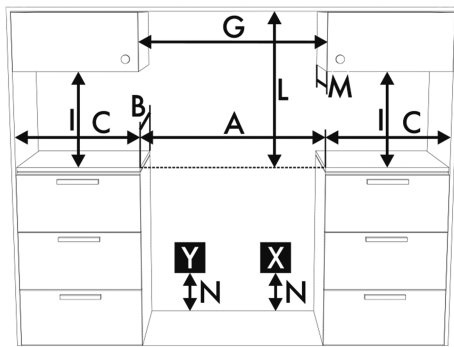


PALPZ
Pizza shovel with fold away handle



PPR9
Refractory pizza stone without handles

Product installation drawing



A	1220 mm	48 1/16"
B	636 mm	25"
C¹	216 mm	8 1/2"
G²	1220 mm	48 1/16"
I³	457 mm	18"
L⁴	610 mm	24"
M⁵	330 mm	13"
N	178 mm	7"