

Retro-Style Single door Refrigerator

FAB10ULWH3
White
Freestanding



Colored minibar with a 50's inspired design perfect for living, office or hotel rooms

Features

Fruit and vegetable compartment - Specially designed compartment, perfectly crafted to keep fruit and vegetable fresh

Climate class - Climatic class SN-T makes the appliance suitable for working at room temperature between 50 °F and 109 °F

Refrigerant gas R600a - Environmentally friendly R600a refrigerant gas contributes to rapid cooling with lower energy consumption

External handle - The external handle ensures practicality and ease of use of the refrigerator

General information

Installation	Freestanding
Category	Single door
Hinge position	Left

Aesthetic

Color	White
Aesthetics	Retro-Style

Refrigerator compartment features

No. of adjustable shelves	1
Number of fruit and vegetables drawers	1
Refrigerator lighting	LED
Shelves material	Glass

Refrigerator Inner Door

Number of adjustable door shelves	2
-----------------------------------	---

Other Refrigerator features

Accessories	Bottle holder
-------------	---------------

Other technical features

No. of compressors	1
Compressor type	Standard

Performance / Energy Label

Net volume	4.30 cu. ft.
Fresh Food compartment - Storage Volume	3.70 cu. ft.

Performance / Energy Label

Energy Star	Yes
-------------	-----

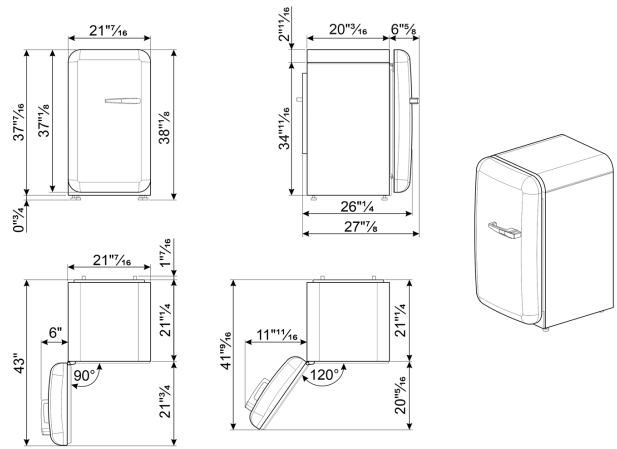
Electrical Connection

Voltage (V)	120 V
Frequency (Hz)	60 Hz
Current	1.25 A
Plug	(B) NEMA 5-15P
Power cord length	70 7/8 "

Logistic Information

Width	21 7/16 "
Height	38 3/16 "
Depth without handle	25 15/16 "
Net weight	97 lbs

Product dimension drawing



Color option



FAB10ULCR3
 Color: Cream
 Hinge position: Left