

## Retro-Style Single door Refrigerator

FAB28ULPB3  
Pastel Blue  
Freestanding



The iconic colored 50's style design refrigerator with internal freezer compartment, perfect for adding character to the kitchen or living room without sacrificing cooling performance and the convenience of a practical and functional interior

### Features

**Inverter compressor** - Inverter compressor reduces noise and vibration levels for a quiet and comfortable kitchen environment

**Deli drawer** - The low temperature of the deli drawer is specially suitable to store frozen food that needs to thaw slowly, such as meat or fish, keeping them in optimal condition

**Fruit and vegetable compartment** - Specially designed compartment, perfectly crafted to keep fruit and vegetable fresh

**Climate class** - Climatic class SN-T makes the appliance suitable for working at room temperature between 50 °F and 109 °F

### General information

Installation	Freestanding
Category	Single door
Hinge position	Left

### Aesthetic

Color	Pastel Blue
Aesthetics	Retro-Style

### Refrigerator compartment features

No. of adjustable shelves	2
Number of fruit and vegetables drawers	1
Refrigerator lighting	LED
Low temperature compartment	Yes
Shelves material	Glass

### Refrigerator Inner Door

Number of adjustable door shelves	1
-----------------------------------	---

### Other technical features

No. of compressors	1
Compressor type	Inverter

### Performance / Energy Label

Net volume	9.53 cu. ft.
Freezer volume	0.92 cu. ft.
Fresh Food compartment - Storage Volume	7.88 cu. ft.

### Performance / Energy Label

Energy Star	Yes
-------------	-----

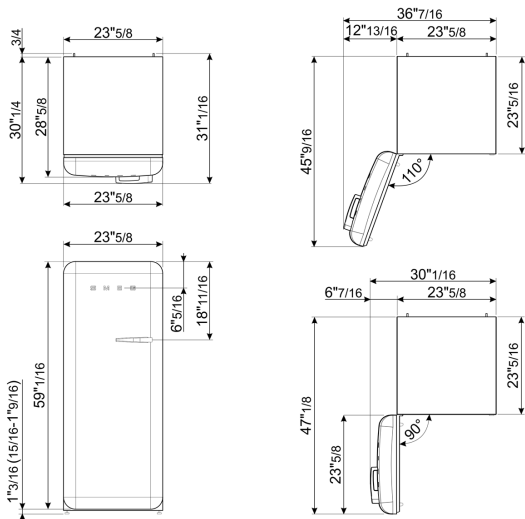
### Electrical Connection

Voltage (V)	120 V
Frequency (Hz)	50/60 Hz
Current	2.2 A
Plug	(B) NEMA 5-15P
Power cord length	70 7/8 "

## Logistic Information

Depth without handle	28 11/16 "
Width	23 11/16 "
Height	60 1/4 "
Packaged depth	33 7/8 "
Packaged width	26 15/16 "
Packaged height	65 3/8 "
Gross weight	191 lbs

## Product dimension drawing



## Color option



FAB28ULBE3  
Color: Blue  
Hinge position: Left



FAB28ULBL3  
Color: Black  
Hinge position: Left



FAB28ULCR3  
Color: Cream  
Hinge position: Left



FAB28ULOR3  
Color: Orange  
Hinge position: Left



FAB28ULPG3  
Color: Pastel green  
Hinge position: Left



FAB28ULRD3  
Color: Red  
Hinge position: Left



FAB28ULWH3  
Color: White  
Hinge position: Left



FAB28ULYW3  
Color: Yellow  
Hinge position: Left