

Retro-Style Single door Refrigerator

FAB28ULPG3
Pastel green
Freestanding



The iconic colored 50's style design refrigerator with internal freezer compartment, perfect for adding character to the kitchen or living room without sacrificing cooling performance and the convenience of a practical and functional interior

Features

Inverter compressor - Inverter compressor reduces noise and vibration levels for a quiet and comfortable kitchen environment

Deli drawer - The low temperature of the deli drawer is specially suitable to store frozen food that needs to thaw slowly, such as meat or fish, keeping them in optimal condition

Fruit and vegetable compartment - Specially designed compartment, perfectly crafted to keep fruit and vegetable fresh

Climate class - Climatic class SN-T makes the appliance suitable for working at room temperature between 50 °F and 109 °F

General information

Installation	Freestanding
Category	Single door
Hinge position	Left

Aesthetic

Color	Pastel green
Aesthetics	Retro-Style

Refrigerator compartment features

No. of adjustable shelves	2
Number of fruit and vegetables drawers	1
Refrigerator lighting	LED
Low temperature compartment	Yes
Shelves material	Glass

Refrigerator Inner Door

Number of adjustable door shelves	1
-----------------------------------	---

Other technical features

No. of compressors	1
Compressor type	Inverter

Performance / Energy Label

Freezer volume	0.92 cu. ft.
----------------	--------------

Performance / Energy Label

Energy Star	Yes
-------------	-----

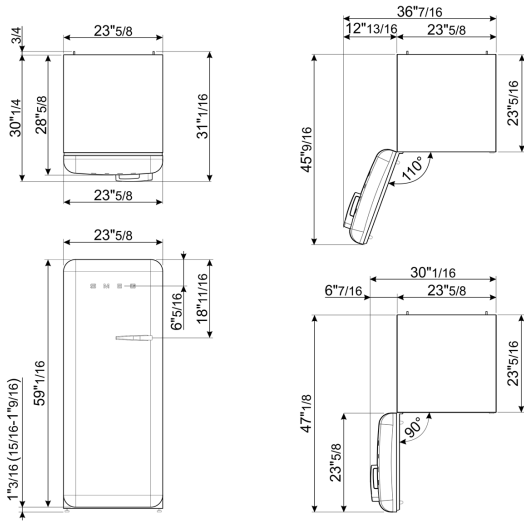
Electrical Connection

Voltage (V)	120 V
Frequency (Hz)	50/60 Hz
Current	2.2 A
Plug	(B) NEMA 5-15P
Power cord length	70 7/8 "

Logistic Information

Width	23 11/16 "
Height	60 1/4 "
Depth without handle	28 11/16 "
Net weight	163 lbs

Product dimension drawing



Color option



FAB28ULBE3
Color: Blue
Hinge position: Left



FAB28ULBL3
Color: Black
Hinge position: Left



FAB28ULCR3
Color: Cream
Hinge position: Left



FAB28ULOR3
Color: Orange
Hinge position: Left



FAB28ULPB3
Color: Pastel Blue
Hinge position: Left



FAB28ULRD3
Color: Red
Hinge position: Left



FAB28ULWH3
Color: White
Hinge position: Left



FAB28ULYW3
Color: Yellow
Hinge position: Left