

Retro-Style Single door Refrigerator

FAB5ULBL3
Black
Freestanding



Colored minibar with a 50's inspired design perfect for living, office or hotel rooms.

Features

Climate class - Climatic class SN-T makes the appliance suitable for working at room temperature between 50 °F and 109 °F

Refrigerant gas R600a - Environmentally friendly R600a refrigerant gas contributes to rapid cooling with lower energy consumption

External handle - The external handle ensures practicality and ease of use of the refrigerator

Refrigerator Internal lighting - Interior lighting for perfect visibility of shelves in the refrigerator compartment

General information

Installation	Freestanding
Category	Single door
Hinge position	Left

Aesthetic

Color	Black
Aesthetics	Retro-Style

Refrigerator compartment features

No. of adjustable shelves	2
Refrigerator lighting	LED
Shelves material	Glass

Refrigerator Inner Door

Number of adjustable door shelves	1
-----------------------------------	---

Other technical features

No. of compressors	1
--------------------	---

Performance / Energy Label

Net volume	1.20 cu. ft.
------------	--------------

Performance / Energy Label

Energy Star	Yes
-------------	-----

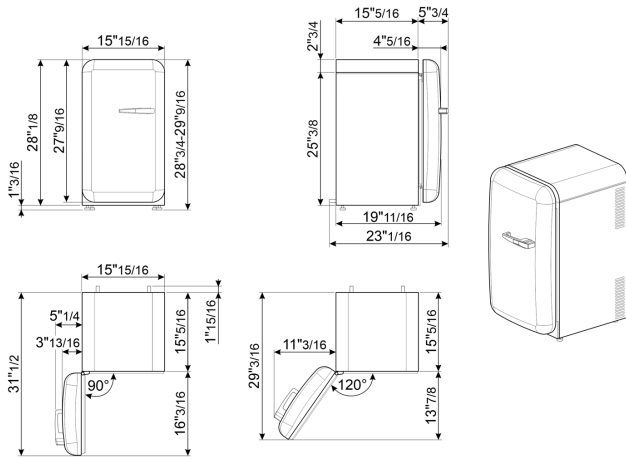
Electrical Connection

Voltage (V)	110 V
Frequency (Hz)	60 Hz
Current	0.89 A
Plug	(B) NEMA 5-15P
Power cord length	70 7/8 "

Logistic Information

Width	15 7/8 "
Height	29 1/8 "
Depth without handle	19 11/16 "
Net weight	55 lbs

Product dimension drawing



Color option



FAB5ULCR3
Color: Cream
Hinge position: Left



FAB5ULRD3
Color: Red
Hinge position: Left



FAB5ULWH3
Color: White
Hinge position: Left



FAB5ULYW3
Color: Yellow
Hinge position: Left