

## Retro-Style Single door Refrigerator

FAB5URBL3  
Black  
Freestanding



Colored minibar with a 50's inspired design perfect for living, office or hotel rooms.

### Features

**Climate class** - Climatic class SN-T makes the appliance suitable for working at room temperature between 50 °F and 109 °F

**Refrigerant gas R600a** - Environmentally friendly R600a refrigerant gas contributes to rapid cooling with lower energy consumption

**External handle** - The external handle ensures practicality and ease of use of the refrigerator

**Refrigerator Internal lighting** - Interior lighting for perfect visibility of shelves in the refrigerator compartment

### General information

Installation	Freestanding
Category	Single door
Hinge position	Right

### Aesthetic

Color	Black
Aesthetics	Retro-Style

### Refrigerator compartment features

No. of adjustable shelves	2
Refrigerator lighting	LED
Shelves material	Wire

### Refrigerator Inner Door

Number of adjustable door shelves	1
-----------------------------------	---

### Other technical features

No. of compressors	1
--------------------	---

### Performance / Energy Label

Net volume	1.20 cu. ft.
------------	--------------

### Performance / Energy Label

Energy Star	Yes
-------------	-----

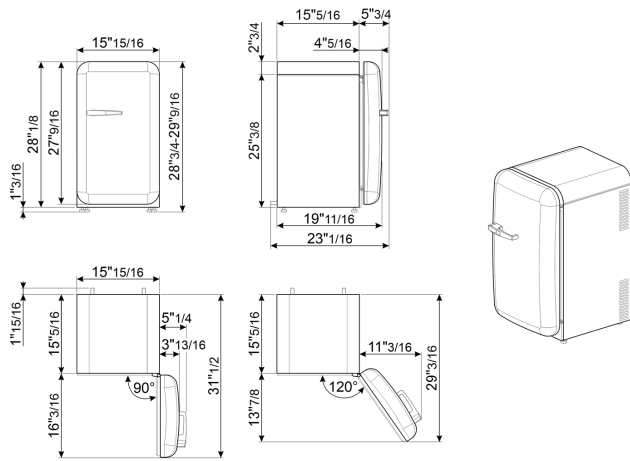
### Electrical Connection

Voltage (V)	110 V
Frequency (Hz)	60 Hz
Current	0.89 A
Plug	(B) NEMA 5-15P
Power cord length	70 7/8 "

## Logistic Information

Width	15 7/8 "
Height	29 1/8 "
Depth without handle	19 11/16 "
Net weight	55 lbs

## Product dimension drawing



## Color option



FAB5URCR3  
Color: Cream  
Hinge position: Right



FAB5URDGC3  
Color:  
Hinge position: Right



FAB5URDGME3  
Color:  
Hinge position: Right



FAB5UROR3  
Color: Orange  
Hinge position: Right



FAB5URPG3  
Color: Pastel green  
Hinge position: Right



FAB5URRD3  
Color: Red  
Hinge position: Right



FAB5URWH3  
Color: White  
Hinge position: Right



FAB5URYW3  
Color: Yellow  
Hinge position: Right