

Linea Compact 24" Combi Microwave Oven

SFU4104MCS
Silver



Features

Smartcooking - 50 automatic recipes for perfect results

Ever Clean Enamel - Facilitated cavity cleaning due to special pyrolytic enamel

Soft Close - Cushioned door closing system

Telescopic guides - Convenience in safely extracting and inserting the bowls into the oven

Technical Features

Minimum Temperature	32 °F
Maximum temperature	251.5 °F
No. of shelf positions	3
No. of lights	2
Lighting	Halogen
Cavity material	EverClean enamel
Lower heating element power	1000 W
Grill element - power	2000 W
Circular heating element - Power	1400 W
Display technology	Full color TFT touch screen

Programs / Functions

No. of cooking functions	13
Automatic programs	50
Traditional cooking functions	Bake, Convection bake, True European convection, Convection roast, Eco, Broil, Convection broil, Circulaire + grill, Warm, Convection bottom (European bake+)
Other functions	Defrost by time, Defrost by weight, Proof, Sabbath Microwave, Fan-assisted, True European convection,
Microwave functions	Microwave + Grill, Warming and re-generation
Cleaning functions	Vapor Clean
Sabbath Mode	Yes

Options

Child safety lock	Yes
Showroom mode	Yes

Accessories Included

Insert grid	1
Glass tray	1
Telescopic Guide rails, partial Extraction	1

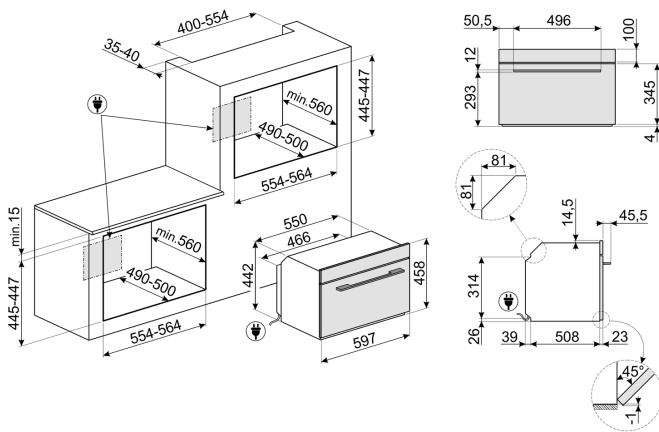
Electrical Connection

Voltage	230 V
Frequency	60 Hz
Circuit breaker	13 A
Plug	No
Power cord length	45 1/4 "

Logistic Information

Width	23 1/2 "
Height	17 7/8 "
Depth	21 9/16 "
Net weight	90 lbs

Product dimension drawing



Accessories



GTP
Partial-extension
telescopic guides



GTT
Total-extension
telescopic guides



PALPZ
Pizza shovel with
fold away handle