

Linea Compact 24" Combi Steam Oven

SFU4104VCS
Silver



Features

Smartcooking - 50 automatic recipes for perfect results

Ever Clean Enamel - Facilitated cavity cleaning due to special pyrolytic enamel

Removable internal glass - Easy cleaning of the oven door thanks to the removable glass

Soft Close - Cushioned door closing system

Technical Features

Minimum Temperature	32 °F
Maximum temperature	251.5 °F
No. of shelf positions	3
No. of lights	1
Lighting	Halogen
Cavity material	EverClean enamel
Removable door	Yes
Lower heating element power	1000 W
Grill element - power	2000 W
Circular heating element - Power	1400 W
Display technology	Full color TFT touch screen

Programs / Functions

No. of cooking functions	14
Automatic programs	50
Traditional cooking functions	Bake, Convection bake, True European convection, Convection roast, Eco, Broil, Convection broil, Circulaire + grill, Warm, Convection bottom (European bake+)
Other functions	Defrost by time, Defrost by weight, Proof, Sabbath
Cooking functions with steam	Steam/ Steam convection roast/ Steam convection bake/ Warming and re-generation
Other steam functions	Tank clean, Water drain, Water load, Descaling program
Cleaning functions	Vapor Clean
Sabbath Mode	Yes

Options

Child safety lock	Yes
Showroom mode	Yes

Accessories Included

Rack with back stop	1
Enameled 1.6"-deep tray	1
Insert grid	1
Stainless steel tray (0.8" deep)	1
Stainless steel mesh tray (1.6" deep)	1

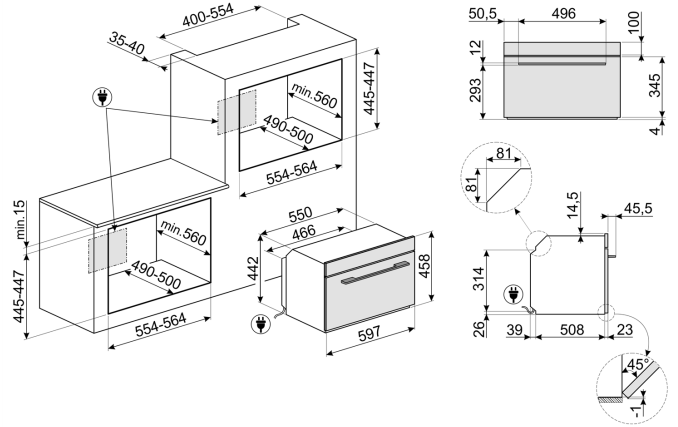
Electrical Connection

Voltage	230 V
Frequency	60 Hz
Circuit breaker	13 A
Plug	No
Power cord length	45 1/4 "

Logistic Information

Width	23 1/2 "
Height	17 7/8 "
Depth	21 9/16 "
Net weight	82 lbs

Product dimension drawing



Accessories



PALPZ

Pizza shovel with fold away handle