

# Classic Compact 24" Combi Steam Oven

SFU4302VCX  
Stainless steel



## Features

**Ever Clean Enamel** - Facilitated cavity cleaning due to special pyrolytic enamel

**Removable internal glass** - Easy cleaning of the oven door thanks to the removable glass

**Soft Close** - Cushioned door closing system

**Telescopic guides** - Convenience in safely extracting and inserting the bowls into the oven

## Technical Features

Minimum Temperature	32 °F
Maximum temperature	251.5 °F
No. of shelf positions	3
No. of lights	1
Lighting	Halogen
Cavity material	EverClean enamel
Removable door	Yes
Lower heating element power	1000 W
Grill element - power	2000 W
Circular heating element - Power	1400 W
Display technology	LCD

## Programs / Functions

No. of cooking functions	14
Automatic programs	20
Traditional cooking functions	Bake, Convection bake, True European convection, Convection roast, Eco, Broil, Convection broil, Warm, Convection bottom (European bake+)
Other functions	Defrost by time, Defrost by weight, Proof, Sabbath
Cooking functions with steam	Steam/ Steam convection roast/ Steam convection bake/ Warming and re-generation
Other steam functions	Tank clean, Water drain, Water load, Descaling program
Cleaning functions	Vapor Clean
Sabbath Mode	Yes

## Options

Child safety lock	Yes
Showroom mode	Yes

## Accessories Included

Rack with back stop	1
Enameled 1.6"-deep tray	1
Insert grid	1
Stainless steel tray (0.8" deep)	1
Stainless steel mesh tray (1.6" deep)	1

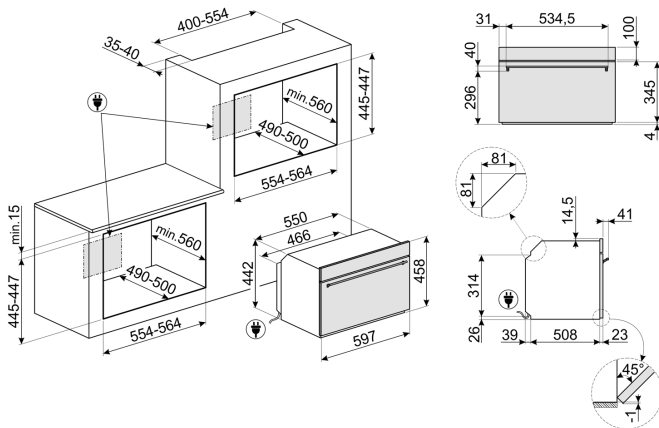
## Electrical Connection

Voltage	230 V
Frequency	60 Hz
Circuit breaker	13 A
Plug	No
Power cord length	45 1/4 "

## Logistic Information

Width	23 1/2 "
Height	17 7/8 "
Depth	21 9/16 "
Net weight	83 lbs

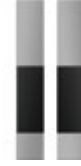
## Product dimension drawing



## Accessories



GTP  
Partial-extension telescopic guides



KIT330X  
Trim kit for 45 cm Classica ovens



KIT370X  
Trim kit for 45 cm Classica ovens



PALPZ  
Pizza shovel with fold away handle