

Linea Compact 24" Combi Microwave Oven

SOCU2104MCG
Neptune Grey



Built-in oven that combines traditional and microwave cooking for fast and amazing results

Features

Smartcooking - 50 automatic recipes for perfect results

Ever Clean Enamel - Facilitated cavity cleaning due to special pyrolytic enamel

Soft Close - Cushioned door closing system

Rapid pre-heating - Reduction in cooking cavity heating time by up to 50%

Technical Features

Minimum Temperature	35 °F
Maximum temperature	251.5 °F
No. of shelf positions	3
No. of lights	2
Lighting	Halogen
Cavity material	EverClean enamel
Lower heating element power	1000 W
Grill element - power	2000 W
Circular heating element - Power	1400 W
Display technology	Full color TFT touch screen

Programs / Functions

No. of cooking functions	13
Automatic programs	50
Traditional cooking functions	Bake, Convection bake, True European convection, Convection roast, Eco, Broil, Convection broil, Circulaire + grill, Warm, Convection bottom (European bake+)
Other functions	Defrost by time, Defrost by weight, Proof, Sabbath Microwave; Fan-assisted; True European convection;
Microwave functions	Microwave + Grill; Warming and re-generation
Cleaning functions	Vapor Clean
Sabbath Mode	Yes

Options

Child safety lock	Yes
Showroom mode	Yes
Rapid pre-heating	Yes

Accessories Included

Rack with back stop	2
Enameled 1.6"-deep tray	1
Glass tray	1
Telescopic Guide rails, total Extraction	1

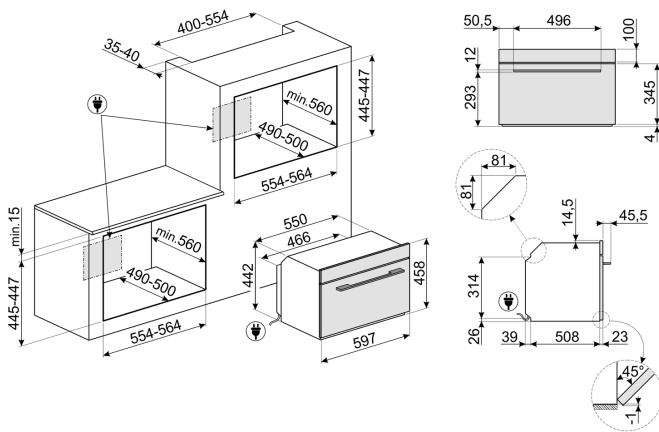
Electrical Connection

Voltage	120/240 V
Frequency	60 Hz
Circuit breaker	13 A
Plug	Hard-wired
Power cord length	59 1/16 "

Logistic Information

Width	23 1/2 "
Height	17 7/8 "
Depth	21 9/16 "
Net weight	89 lbs

Product dimension drawing



Accessories



GTP
Partial-extension
telescopic guides



GTT
Total-extension
telescopic guides



PALPZ
Pizza shovel with
fold away handle

Color option



SOCU2304MCX
Color: Stainless steel