

## Linea 30" compact Combi Microwave Oven

SOCU3104MCG  
Neptune Grey



Built-in oven that combines traditional and microwave cooking for fast and amazing results

### Features

**Smartcooking** - 50 automatic recipes for perfect results

**Ever Clean Enamel** - Facilitated cavity cleaning due to special pyrolytic enamel

**Soft Close** - Cushioned door closing system

**Rapid pre-heating** - Reduction in cooking cavity heating time by up to 50%

### Technical Features

Minimum Temperature	35 °F
Maximum temperature	251.5 °F
No. of shelf positions	3
No. of lights	2
Lighting	Halogen
Cavity material	EverClean enamel
Lower heating element power	1000 W
Grill element - power	2000 W
Circular heating element - Power	1400 W
Display technology	Full color TFT touch screen

### Programs / Functions

No. of cooking functions	13
Automatic programs	50
Traditional cooking functions	Bake, Convection bake, True European convection, Convection roast, Eco, Broil, Convection broil, Circulaire + grill, Warm, Convection bottom (European bake+)
Other functions	Defrost by time, Defrost by weight, Proof, Sabbath Microwave, Fan-assisted, True European convection,
Microwave functions	Microwave + Grill, Warming and re-generation
Cleaning functions	Vapor Clean
Sabbath Mode	Yes

### Options

Child safety lock	Yes
Showroom mode	Yes
Rapid pre-heating	Yes

### Accessories Included

Rack with back stop	2
Enameled 1.6"-deep tray	1
Glass tray	1
Telescopic Guide rails, total Extraction	1

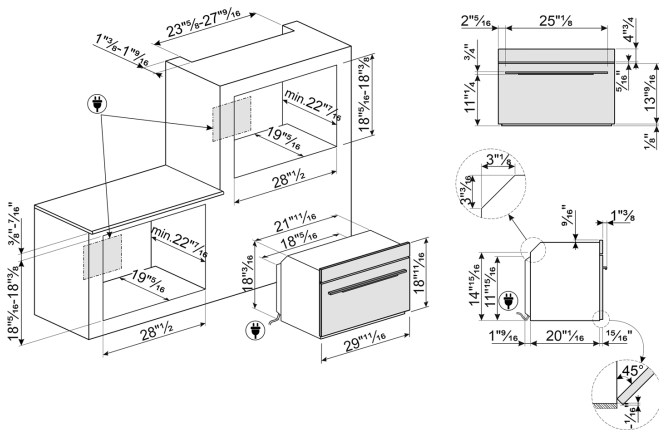
### Electrical Connection

Voltage	120/240 V
Frequency	60 Hz
Circuit breaker	13 A
Plug	Hard-wired
Power cord length	59 1/16 "

## Logistic Information

Width	29 11/16 "
Height	18 11/16 "
Depth	21 9/16 "
Net weight	101 lbs

## Product dimension drawing



## Accessories



GTP  
Partial-extension  
telescopic guides



GTT  
Total-extension  
telescopic guides



PALZ  
Pizza shovel with  
fold away handle