

Linea 30" Convection Oven

SOPU3104TPG
Neptune Grey



Built-in self-cleaning multifunction convection oven that delivers even, consistent cooking with a variety of preset programs and precise temperature control. The self-cleaning cycle provides automatic maintenance, keeping the oven cavity clean and hygienic with minimal effort.

Features

Smartcooking - 50 automatic recipes for perfect results

Ever Clean Enamel - Facilitated cavity cleaning due to special pyrolytic enamel

Self cleaning function - Easy oven cleaning with special self-cleaning function

Food probe - Delicate cooking with extreme precision thanks to the timely detection of the temperature inside the food

Technical Features

Minimum Temperature	32 °F
Maximum temperature	282 °F
No. of shelf positions	6
Fan	Single
No. of lights	2
Lighting	Halogen
Cavity material	EverClean enamel
Removable door	Yes
Lower heating element power	1700 W
Upper heating element - Power	1200 W
Grill element - power	1700 W
Large grill - Power	2900 W
Circular heating element - Power	2000 W
Display technology	Full color TFT touch screen

Programs / Functions

No. of cooking functions	9
Automatic programs	50
Traditional cooking functions	Bake, Convection bake, True European convection, Convection roast, Broil, Convection broil, Warm, European bake+, Pizza
Other functions	Defrost by time, Defrost by weight, Proof, Stone cooking, BBQ, Air-Fry, Keep-warm, Plate warming, Sabbath
Cleaning functions	Self-cleaning cycle
Sabbath Mode	Yes

Options

Child safety lock	Yes
Showroom mode	Yes
Rapid pre-heating	Yes

Accessories Included

Rack with back stop	3
Enameled 1.6"-deep tray	1
Insert grid	1
Telescopic Guide rails, total Extraction	2
Temperature probe	Yes, single-point probe

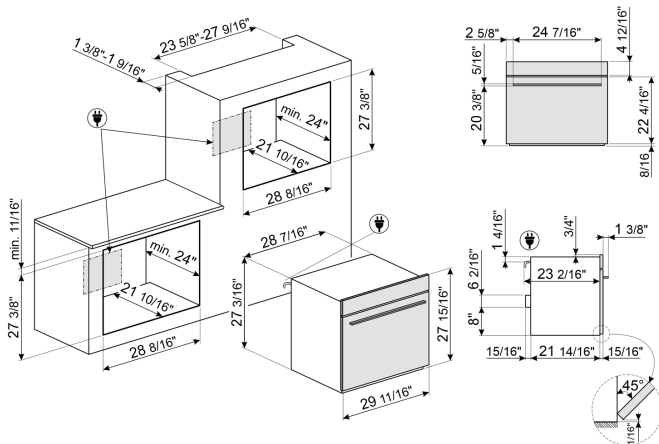
Electrical Connection

Voltage	120/240 V
Frequency	60 Hz
Circuit breaker	20 A
Plug	Hard-wired
Power cord length	59 1/16 "

Logistic Information

Width	29 11/16 "
Height	27 15/16 "
Depth	23 1/8 "
Net weight	151 lbs

Product dimension drawing



Accessories



GT3T
Total-extraction
telescopic guides



PALPZ
Pizza shovel with
fold away handle

Color option



SOPU3304TPX
Color: Stainless steel