

Classic 24" Convection Oven

SOU2300TX
Stainless steel



Built-in multifunction convection oven ensuring even heat distribution, multiple cooking modes, and precise temperature control for consistent results across all types of dishes

Features

Ever Clean Enamel - Facilitated cavity cleaning due to special pyrolytic enamel

Removable internal glass - Easy cleaning of the oven door thanks to the removable glass

Rapid pre-heating - Reduction in cooking cavity heating time by up to 50%

Telescopic guides - Convenience in safely extracting and inserting the bowls into the oven

Technical Features

Minimum Temperature	38 °F
Maximum temperature	260 °F
No. of shelf positions	5
Fan	Single
No. of lights	2
Lighting	Halogen
Cavity material	EverClean enamel
Lower heating element power	1200 W
Upper heating element - Power	1000 W
Grill element - power	1700 W
Large grill - Power	2700 W
Circular heating element - Power	1550 W
Display technology	LED

Programs / Functions

No. of cooking functions	8
Traditional cooking functions	Bake, Convection bake, True European convection, Convection roast, Eco, Broil, Convection broil, Warm
Other functions	Defrost by time
Cleaning functions	Vapor Clean

Options

Rapid pre-heating	Yes
-------------------	-----

Accessories Included

Rack with back stop	2
Enameled 1.6"-deep tray	1
Insert grid	1
Telescopic Guide rails, partial Extraction	1

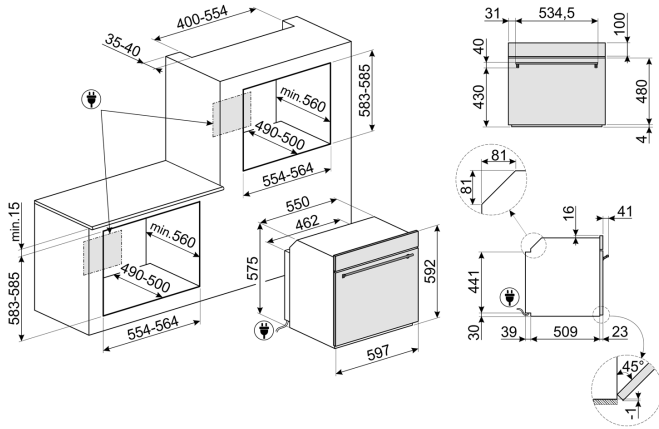
Electrical Connection

Voltage	120/240 V
Frequency	60 Hz
Circuit breaker	13 A
Plug	Hard-wired
Power cord length	59 1/16 "

Logistic Information

Width	23 1/2 "
Height	23 5/16 "
Depth	21 9/16 "
Net weight	80 lbs

Product dimension drawing



Accessories



GTP
Partial-extension
telescopic guides



GTT
Total-extension
telescopic guides



PALPZ
Pizza shovel with
fold away handle