

Classic 24" Convection Oven

SOU2304TX
Stainless steel



Built-in multifunction convection oven ensuring even heat distribution, multiple cooking modes, and precise temperature control for consistent results across all types of dishes

Features

Smartcooking - 50 automatic recipes for perfect results

Ever Clean Enamel - Facilitated cavity cleaning due to special pyrolytic enamel

Removable internal glass - Easy cleaning of the oven door thanks to the removable glass

Soft Close - Cushioned door closing system

Technical Features

Minimum Temperature	32 °F
Maximum temperature	282 °F
No. of shelf positions	5
Fan	Single
No. of lights	2
Lighting	Halogen
Cavity material	EverClean enamel
Removable door	Yes
Lower heating element power	1200 W
Upper heating element - Power	1000 W
Grill element - power	1700 W
Large grill - Power	2700 W
Circular heating element - Power	2000 W
Display technology	Full color TFT touch screen

Programs / Functions

No. of cooking functions	9
Automatic programs	50
Traditional cooking functions	Bake, Convection bake, True European convection, Convection roast, Eco, Broil, Convection broil, Circulaire + grill, Warm, Convection bottom (European bake+), Pizza Defrost by time, Defrost by weight, Proof, Stone cooking, BBQ, Air-Fry, Keep-warm, Plate warming, Sabbath
Other functions	
Cleaning functions	Vapor Clean
Sabbath Mode	Yes

Options

Child safety lock	Yes
Showroom mode	Yes
Rapid pre-heating	Yes

Accessories Included

Rack with back stop	2
Enameled 1.6"-deep tray	1
Insert grid	1
Telescopic Guide rails, partial Extraction	1

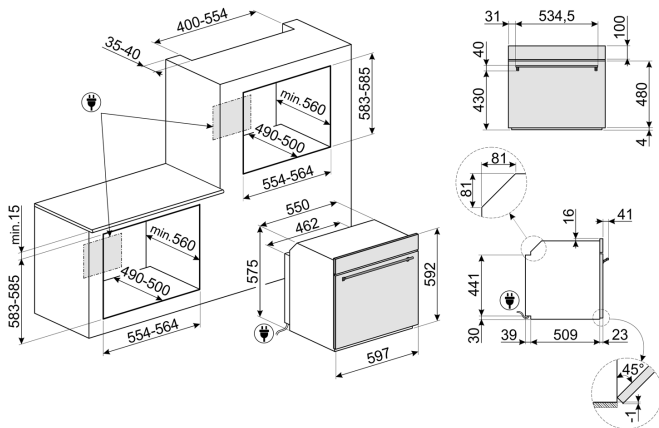
Electrical Connection

Voltage	120/240 V
Frequency	60 Hz
Circuit breaker	13 A
Plug	Hard-wired
Power cord length	59 1/16 "

Logistic Information

Width	23 1/2 "
Height	23 5/16 "
Depth	21 9/16 "
Net weight	83 lbs

Product dimension drawing



Accessories



GTP
Partial-extension telescopic guides



GTT
Total-extension telescopic guides



PALPZ
Pizza shovel with fold away handle

Color option



SOU2104TG
Color: Neptune Grey