

## Professional Range 24"

SPR24UGGAN  
Stainless steel  
Full Gas



Compact- design range with gas oven and gas cooktop: efficient and responsive, the visible heat source allows total control and choice of the right intensity.

### Features

**Tangential cooling** - New cooling system with tangential fan and airflow from the door to the splashback

**Gas hob** - Gas provides permanent control of the heat source and the temperature change is immediate

**Soft close** - The door is equipped with a specific system for silent closing

**Storage compartment** - More space thanks to the lower compartment, ideal for storing accessories or cooking utensils

### Cooktop technical features

Cooking zones	4
Front-left - 12000 BTU	
Rear-left - 10000 BTU	
Rear-right - 10000 BTU	
Front-right - 18000 BTU	
Automatic gas ignition	Yes
Gas safety valves	Yes

### Aesthetic

Series	Professional
Color	Stainless steel

### General information

Range size	24"
Range type	Full Gas

### Programs / Functions

No. of cooking functions	3
--------------------------	---

### Main oven options

Minimum Temperature	250 °F
Maximum temperature	500 °F

### Main Oven Technical Features

Volume	2.79 cu. ft.
Cavity material	EverClean enamel
No. of shelves	5
Removable inner door	Yes
Total no. of door glasses	3
Soft Close system	Yes

### Included accessories

Oven wire rack	2
----------------	---

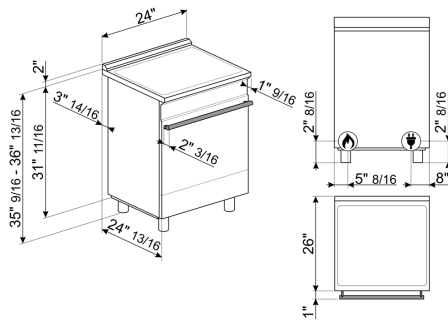
### Electrical Connection

Voltage	120 V
Frequency	60 Hz

## Logistic Information

Width	23 15/16 "
Depth	26 "
Height	35 9/16 "
Net weight	159 lbs

## Product dimension drawing



## Accessories



**GRM**  
Coffee machine support



**GTP**  
Partial-extension telescopic guides



**KITTKSPR24**  
Plinth, 3 sides, 900mm, SPR cookers 24", black



**WOKGHU**  
Cast-iron wok support

## Color option



**SPR24UGGX**  
Color: Stainless steel