

Professional Range 24"

SPR24UGGX
Stainless steel
Full Gas



Compact- design range with gas oven and gas cooktop: efficient and responsive, the visible heat source allows total control and choice of the right intensity.

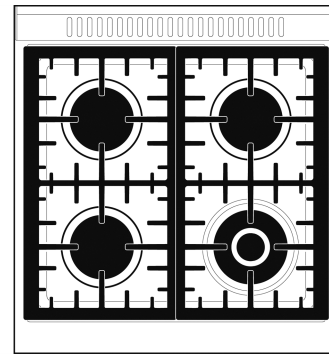
Features

Tangential cooling - New cooling system with tangential fan and airflow from the door to the splashback

Gas hob - Gas provides permanent control of the heat source and the temperature change is immediate

Soft close - The door is equipped with a specific system for silent closing

Storage compartment - More space thanks to the lower compartment, ideal for storing accessories or cooking utensils



Cooktop technical features

Cooking zones	4
Front-left - 12000 BTU	
Rear-left - 10000 BTU	
Rear-right - 10000 BTU	
Front-right - 18000 BTU	
Automatic gas ignition	Yes
Gas safety valves	Yes

Aesthetic

Series	Professional
Color	Stainless steel

General information

Range size	24"
Range type	Full Gas

Programs / Functions

No. of cooking functions	3
--------------------------	---

Main oven options

Minimum Temperature	250 °F
Maximum temperature	500 °F

Main Oven Technical Features

Volume	2.79 cu. ft.
Cavity material	EverClean enamel
No. of shelves	5
Removable inner door	Yes
Total no. of door glasses	3
Soft Close system	Yes

Included accessories

Oven wire rack 2

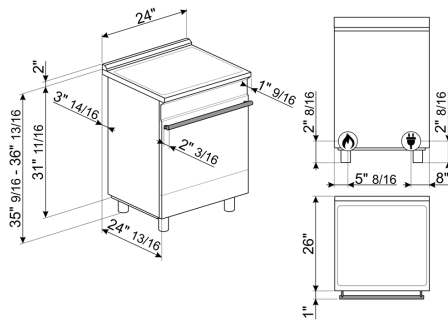
Electrical Connection

Circuit breaker 15 A
 Voltage 120 V
 Frequency 60 Hz

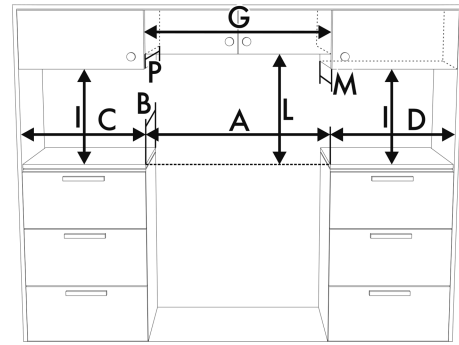
Logistic Information

Width 23 15/16 "
 Depth 26 "
 Height 35 9/16 "
 Net weight 156 lbs

Product dimension drawing



Product installation drawing



A	24"	610 mm
B	25"	630 mm
C ¹	see user manual	
D ¹	see user manual	
G ²	24"	610 mm
I ³	18"	457 mm
L	see user manual	
M ⁴	13"	330 mm
P ⁴	13"	330 mm

Accessories



GRM
 Coffee machine support



GTP
 Partial-extension telescopic guides



KITTKSPR24
 Plinth, 3 sides, 900mm, SPR cookers 24", black



WOKGHU
 Cast-iron wok support

Color option



SPR24UGGAN
Color: Stainless steel