

Professional Range 24"

SPR24UIMMW
Matte White
Full electric



Compact-design range with electric oven and induction or ceramic glass cooktop: the perfect mix of style, quality and technology thanks to homogeneous and instantaneous heat, maximum safety and attention to consumption.

Features

Induction hob - Induction offers fast cooking and precise temperature control

Touch control - Easy and intuitive timer setting with a single touch

Tangential cooling - New cooling system with tangential fan and airflow from the door to the splashback

True-convection - The best cooking performances guaranteed by ventilated circular flow.

Cooktop technical features

Cooking zones	4
Front-left - 1300 W - Booster 1400 W - Ø 18.0 cm	
Rear-left - 2300 W - Booster 3000 W - Ø 18.0 cm	
Front-right - 2300 W - Booster 3000 W - Ø 14.5 cm	
Rear-right - 1300 W - Booster 1400 W - Ø 21.0 cm	

Aesthetic

Series	Professional
Color	Matte White

General information

Range size	24"
Range type	Full electric

Programs / Functions

Cleaning functions	VaporClean
No. of cooking functions	8

Main oven options

Minimum Temperature	151 °F
Maximum temperature	500 °F

Main Oven Technical Features

Volume	2.79 cu. ft.
Cavity material	EverClean enamel
No. of shelves	5
Removable inner door	Yes
Total no. of door glasses	3
Soft Close system	Yes

Included accessories

Oven wire rack	2
----------------	---

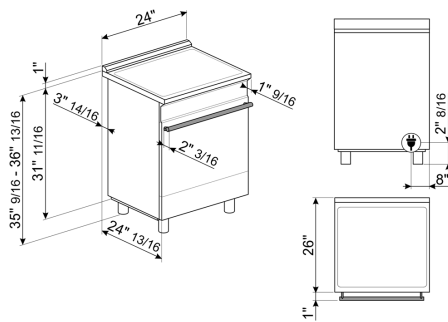
Electrical Connection

Circuit breaker	30 A
Voltage	208/240 V
Frequency	60 Hz

Logistic Information

Width	23 15/16 "
Depth	26 "
Height	35 9/16 "
Net weight	159 lbs

Product dimension drawing



Accessories



GT3T
Total-extraction telescopic guides



KITTKSPR24
Plinth, 3 sides, 900mm, SPR cookers 24", black



PALPZ
Pizza shovel with fold away handle

Color option



SPR24UIMAN
Color: Matte Black



SPR24UIMX
Color: Stainless steel