

## Professional Range 30"

SPR30UGGX  
Stainless steel  
Full Gas



Compact- design range with gas oven and gas cooktop: efficient and responsive, the visible heat source allows total control and choice of the right intensity.

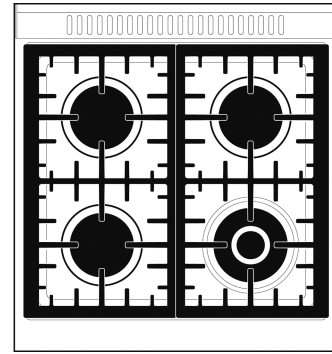
### Features

**Touch control** - Easy and intuitive timer setting with a single touch

**Tangential cooling** - New cooling system with tangential fan and airflow from the door to the splashback

**Gas hob** - Gas provides permanent control of the heat source and the temperature change is immediate

**Soft close** - The door is equipped with a specific system for silent closing



### Cooktop technical features

Cooking zones	4
Front-left - 12000 BTU	
Rear-left - 10000 BTU	
Rear-right - 10000 BTU	
Front-right - 18000 BTU	
Automatic gas ignition	Yes
Gas safety valves	Yes

### Aesthetic

Series	Professional
Color	Stainless steel

### General information

Range size	30"
Range type	Full Gas

### Programs / Functions

No. of cooking functions	3
--------------------------	---

### Main oven options

Minimum Temperature	250 °F
Maximum temperature	500 °F

### Main Oven Technical Features

Volume	4.56 cu. ft.
Cavity material	EverClean enamel
No. of shelves	6
Total no. of door glasses	3
Soft Close system	Yes

## Included accessories

Oven wire rack 2

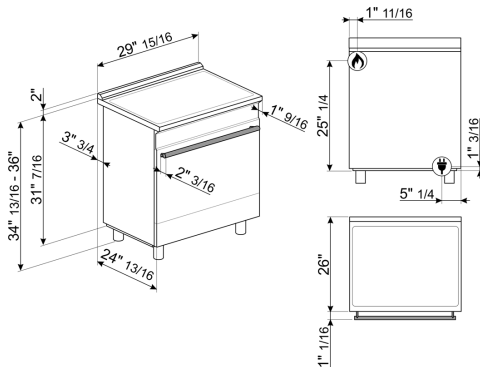
## Electrical Connection

Circuit breaker 15 A  
 Voltage 120 V  
 Frequency 60 Hz

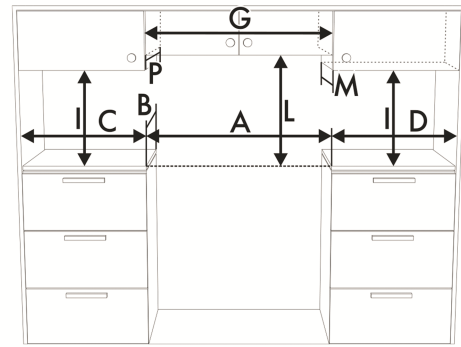
## Logistic Information

Width 29 15/16 "  
 Depth 26 "  
 Height 34 13/16 "  
 Net weight 204 lbs

## Product dimension drawing



## Product installation drawing



A	30"	762 mm
B	25"	630 mm
C <sup>1</sup>	see user manual	
D <sup>1</sup>	see user manual	
G <sup>2</sup>	30"	762 mm
I <sup>3</sup>	18"	457 mm
L	see user manual	
M <sup>4</sup>	13"	330 mm
P <sup>4</sup>	13"	330 mm

## Accessories



GRM  
 Coffee machine support



GT3T  
 Total-extraction telescopic guides



KITTKSPR30  
 Plinth, 3 sides, 900mm, SPR cookers 30", black



PALPZ  
 Pizza shovel with fold away handle



WOKGHU  
 Cast-iron wok support

## Color option



SPR30UGGAN  
Color: Stainless steel