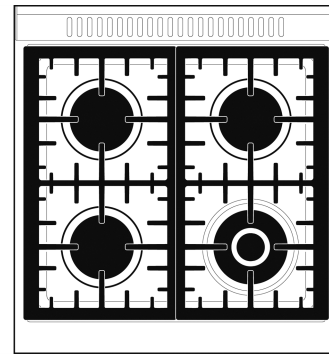


Professional Range 30"

SPR30UGMX
Stainless steel
Dual-Fuel



Cooktop technical features

Cooking zones	4
Front-left - 12000 BTU	
Rear-left - 10000 BTU	
Rear-right - 10000 BTU	
Front-right - 18000 BTU	

Aesthetic

Series	Professional
Color	Stainless steel

General information

Range size	30"
Range type	Dual-Fuel

Features

Touch control - Easy and intuitive timer setting with a single touch

Tangential cooling - New cooling system with tangential fan and airflow from the door to the splashback

True-convection - The best cooking performances guaranteed by ventilated circular flow.

Gas hob - Gas provides permanent control of the heat source and the temperature change is immediate

Programs / Functions

Cleaning functions	VaporClean
No. of cooking functions	8

Main oven options

Minimum Temperature	149 °F
Maximum temperature	500 °F

Main Oven Technical Features

Volume	4.56 cu. ft.
Cavity material	EverClean enamel
No. of shelves	6
Removable inner door	Yes
Total no. of door glasses	3
Soft Close system	Yes

Included accessories

Oven wire rack 2

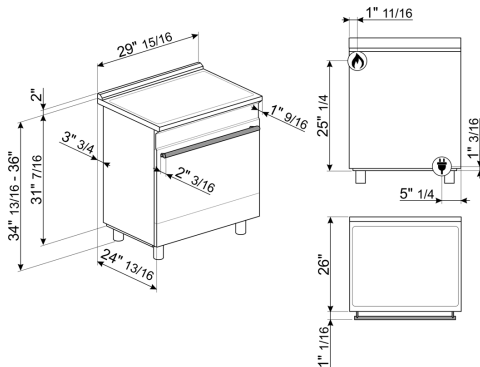
Electrical Connection

Circuit breaker 20 A
 Voltage 208/240 V
 Frequency 60 Hz

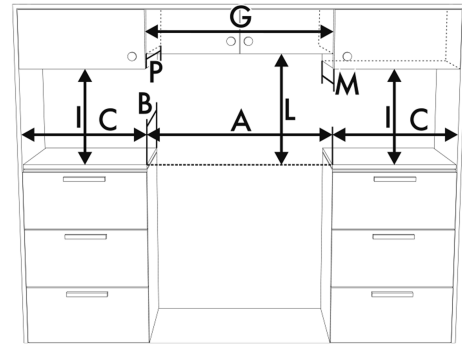
Logistic Information

Width 29 15/16 "
 Depth 26 "
 Height 34 13/16 "
 Net weight 213 lbs

Product dimension drawing



Product installation drawing



A	24"	610 mm
B	25"	630 mm
C ¹	5 7/8"	150 mm
G ²	24"	610 mm
I ³	18"	457 mm
L	see user manual	
M ⁴	13"	330 mm
P ⁴	13"	330 mm

Accessories



GRM
Coffee machine support



GT3T
Total-extraction telescopic guides



KITTKSPR30
Plinth, 3 sides, 900mm, SPR cookers 30", black



PALPZ
Pizza shovel with fold away handle



WOKGHU
Cast-iron wok support