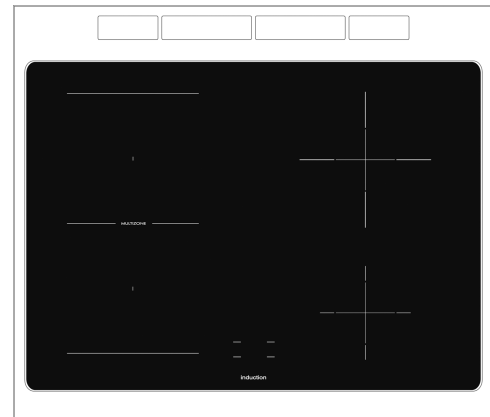


## Professional Range 30"

SPR30UIMX  
Stainless steel  
Full electric



### Cooktop technical features

|                                       |   |
|---------------------------------------|---|
| Cooking zones                         | 4 |
| Front-left - 1300 W - Booster 1400 W  |   |
| Rear-left - 2300 W - Booster 3000 W   |   |
| Front-right - 2300 W - Booster 3000 W |   |
| Rear-right - 1300 W - Booster 1400 W  |   |

### Aesthetic

|        |                 |
|--------|-----------------|
| Series | Professional    |
| Color  | Stainless steel |

### General information

|            |               |
|------------|---------------|
| Range size | 30"           |
| Range type | Full electric |

### Programs / Functions

|                          |            |
|--------------------------|------------|
| Cleaning functions       | VaporClean |
| No. of cooking functions | 8          |

### Main oven options

|                     |        |
|---------------------|--------|
| Minimum Temperature | 151 °F |
| Maximum temperature | 500 °F |

### Main Oven Technical Features

|                           |                  |
|---------------------------|------------------|
| Volume                    | 4.56 cu. ft.     |
| Cavity material           | EverClean enamel |
| No. of shelves            | 6                |
| Total no. of door glasses | 3                |
| Soft Close system         | Yes              |

Compact-design range with electric oven and induction or ceramic glass cooktop: the perfect mix of style, quality and technology thanks to homogeneous and instantaneous heat, maximum safety and attention to consumption.

### Features

**Induction hob** - Induction offers fast cooking and precise temperature control

**Touch control** - Easy and intuitive timer setting with a single touch

**Tangential cooling** - New cooling system with tangential fan and airflow from the door to the splashback

**True-convection** - The best cooking performances guaranteed by ventilated circular flow.

## Included accessories

Oven wire rack 2

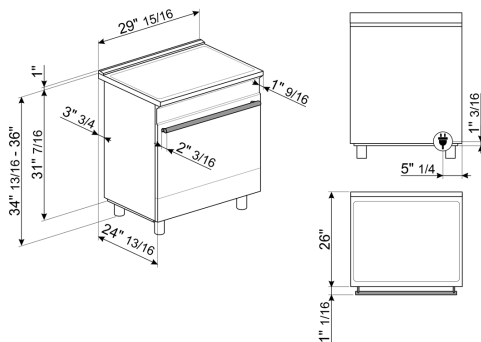
## Electrical Connection

Circuit breaker 50 A  
 Voltage 208/240 V  
 Frequency 60 Hz

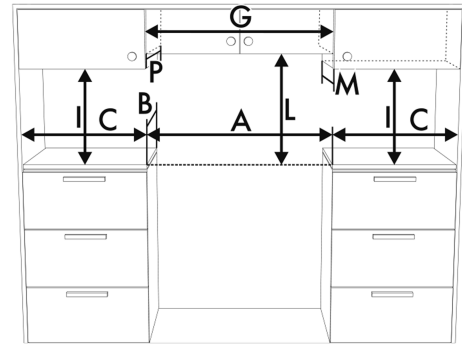
## Logistic Information

Width 29 15/16 "  
 Depth 26 "  
 Height 34 13/16 "  
 Net weight 211 lbs

## Product dimension drawing



## Product installation drawing



|                |                 |        |
|----------------|-----------------|--------|
| A              | 24"             | 610 mm |
| B              | 25"             | 630 mm |
| C <sup>1</sup> | 5 7/8"          | 150 mm |
| G <sup>2</sup> | 24"             | 610 mm |
| I <sup>3</sup> | 18"             | 457 mm |
| L              | see user manual |        |
| M <sup>4</sup> | 13"             | 330 mm |
| P <sup>4</sup> | 13"             | 330 mm |

## Accessories



GT3T  
 Total-extraction telescopic guides



KITTKSPR30  
 Plinth, 3 sides, 900mm, SPR cookers 30", black



PALPZ  
 Pizza shovel with fold away handle

## Color option



SPR30UIMAN  
 Color: Matte Black



SPR30UIMMW  
 Color: Matte White