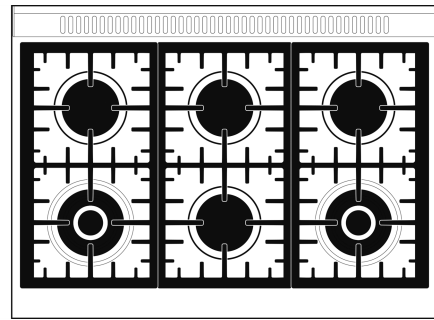


# Professional Range 36"

SPR36UGMX  
Stainless steel  
Dual-Fuel



## Cooktop technical features

Cooking zones	6
Front-left	18000 BTU
Rear-left	10000 BTU
Front-center	10000 BTU
Rear-center	10000 BTU
Front-right	18000 BTU
Rear-right	10000 BTU

## Aesthetic

Series	Professional
Color	Stainless steel

## General information

Range size	36"
Range type	Dual-Fuel

## Features

- Touch control** - Easy and intuitive timer setting with a single touch
- Tangential cooling** - New cooling system with tangential fan and airflow from the door to the splashback
- True-convection** - The best cooking performances guaranteed by ventilated circular flow.
- Gas hob** - Gas provides permanent control of the heat source and the temperature change is immediate

## Programs / Functions

Cleaning functions	VaporClean
No. of cooking functions	8

## Main oven options

Minimum Temperature	149 °F
Maximum temperature	500 °F

## Main Oven Technical Features

Volume	4.45 cu. ft.
Cavity material	EverClean enamel
No. of shelves	5
Removable inner door	Yes
Total no. of door glasses	3
Soft Close system	Yes

## Included accessories

Oven wire rack 2

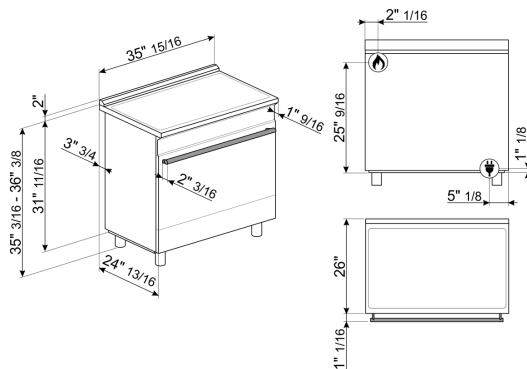
## Electrical Connection

Circuit breaker 20 A  
 Voltage 208/240 V  
 Frequency 60 Hz

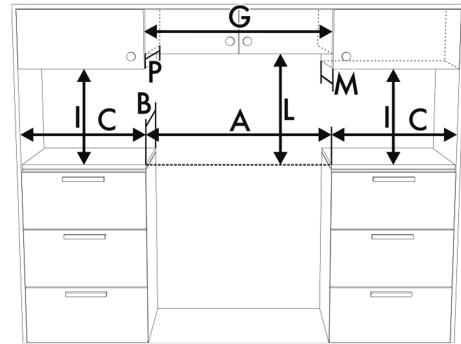
## Logistic Information

Width 35 7/8 "  
 Depth 26 "  
 Height 35 3/16 "  
 Net weight 238 lbs

## Product dimension drawing



## Product installation drawing



A	24"	610 mm
B	25"	630 mm
C <sup>1</sup>	5 7/8"	150 mm
G <sup>2</sup>	24"	610 mm
I <sup>3</sup>	18"	457 mm
L	see user manual	
M <sup>4</sup>	13"	330 mm
P <sup>4</sup>	13"	330 mm

## Accessories



GRM  
Coffee machine support



GT3T  
Total-extraction telescopic guides



KITTKSPR36  
Plinth, 3 sides, 900mm, SPR cookers 30", black



WOKGHU  
Cast-iron wok support