

## Professional Range 36"

SPR36UIMAN  
Matte Black  
Full electric



Compact-design range with electric oven and induction or ceramic glass cooktop: the perfect mix of style, quality and technology thanks to homogeneous and instantaneous heat, maximum safety and attention to consumption.

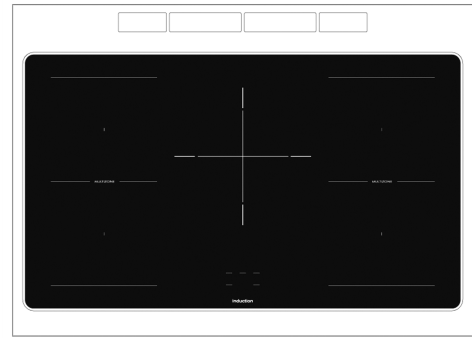
### Features

**Induction hob** - Induction offers fast cooking and precise temperature control

**Touch control** - Easy and intuitive timer setting with a single touch

**Tangential cooling** - New cooling system with tangential fan and airflow from the door to the splashback

**True-convection** - The best cooking performances guaranteed by ventilated circular flow.



### Cooktop technical features

Cooking zones	5
Front-left	1300 W - Booster 1400 W
Rear-left	2300 W - Booster 3000 W
Center	2300 W - Booster 3000 W
Rear-right	1300 W - Booster 1400 W
Front-right	2300 W - Booster 3000 W

### Aesthetic

Series	Professional
Color	Matte Black

### General information

Range size	36"
Range type	Full electric

### Programs / Functions

Cleaning functions	VaporClean
No. of cooking functions	8

### Main oven options

Minimum Temperature	151 °F
Maximum temperature	500 °F

### Main Oven Technical Features

Volume	4.45 cu. ft.
Cavity material	EverClean enamel
No. of shelves	5
Removable inner door	Yes
Total no. of door glasses	3
Soft Close system	Yes

## Included accessories

Oven wire rack 2

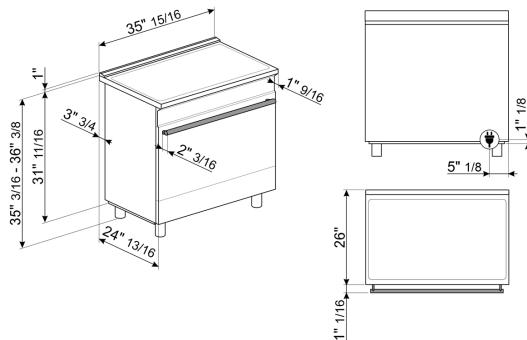
## Electrical Connection

Circuit breaker 50 A  
 Voltage 208/240 V  
 Frequency 60 Hz

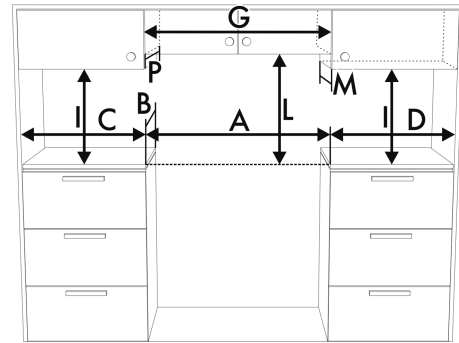
## Logistic Information

Width 35 7/8 "  
 Depth 26 "  
 Height 35 3/16 "  
 Net weight 218 lbs

## Product dimension drawing



## Product installation drawing



A	24"	610 mm
B	25"	630 mm
C <sup>1</sup>	see user manual	
D <sup>1</sup>	see user manual	
G <sup>2</sup>	24"	610 mm
I <sup>3</sup>	18"	457 mm
L	see user manual	
M <sup>4</sup>	13"	330 mm
P <sup>4</sup>	13"	330 mm

## Accessories



GT3T  
 Total-extraction telescopic guides



KITTKSPR36  
 Plinth, 3 sides, 900mm, SPR cookers 30", black



PALPZ  
 Pizza shovel with fold away handle

## Color option



SPR36UIMMW  
 Color: Matte White



SPR36UIMX  
 Color: Stainless steel