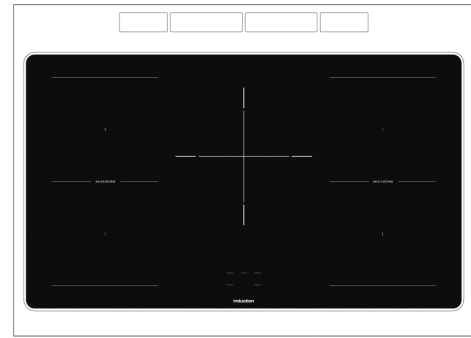


Professional Range 36"

SPR36UIMX
Stainless steel
SPR



Cooktop technical features

| | |
|---------------------------------------|---|
| Cooking zones | 5 |
| Front-left - 1300 W - Booster 1400 W | |
| Rear-left - 2300 W - Booster 3000 W | |
| Center - 2300 W - Booster 3000 W | |
| Rear-right - 1300 W - Booster 1400 W | |
| Front-right - 2300 W - Booster 3000 W | |

Programs / Functions

| | |
|--------------------------|------------|
| No. of cooking functions | 8 |
| Cleaning functions | VaporClean |

Main oven options

| | |
|---------------------|--------|
| Minimum Temperature | 151 °F |
| Maximum temperature | 500 °F |

Main Oven Technical Features

| | |
|---------------------------|------------------|
| Volume | 4.45 cu. ft. |
| Cavity material | EverClean enamel |
| No. of shelves | 5 |
| Removable inner door | Yes |
| Total no. of door glasses | 3 |
| Soft Close system | Yes |

Included accessories

| | |
|----------------|---|
| Oven wire rack | 2 |
|----------------|---|

Electrical Connection

| | |
|-----------------|-----------------|
| Plug | (B) NEMA 14-50P |
| Circuit breaker | 50 A |
| Voltage | 208/240 V |
| Frequency | 60 Hz |

Compact-design cooker with electric oven and induction or ceramic glass hob: the perfect mix of style, quality and technology thanks to homogeneous and instantaneous heat, maximum safety and attention to consumption.

Features

Induction hob - Induction offers fast cooking and precise temperature control

Vapor Clean - By inserting water into a recess at the bottom of the cavity, steam is generated, which softens the residue and facilitates its removal

Touch control - Easy and intuitive timer setting with a single touch

True-convection - The best cooking performances guaranteed by ventilated circular flow.

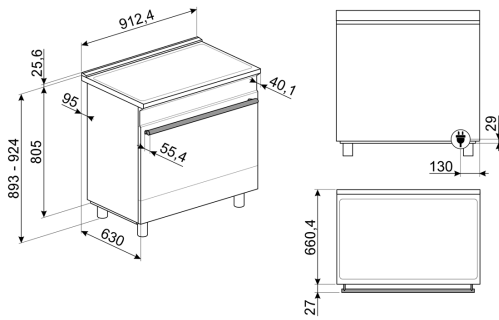
Tangential cooling - New cooling system with tangential fan and airflow from the door to the splashback

Soft close - The door is equipped with a specific system for silent closing

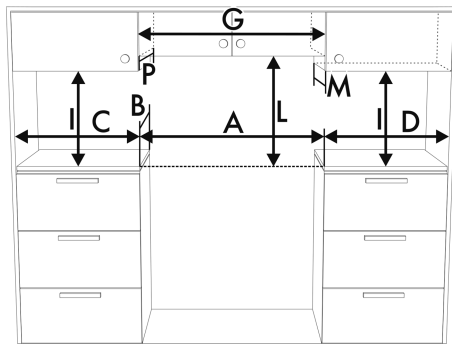
Logistic Information

| | |
|------------|-----------|
| Width | 35 7/8 " |
| Depth | 25 " |
| Height | 35 3/16 " |
| Net weight | 215 lbs |

Product dimension drawing



Product installation drawing

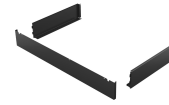


| | | |
|----------------|-----------------|--------|
| A | 24" | 610 mm |
| B | 25" | 630 mm |
| C ¹ | see user manual | |
| D ¹ | see user manual | |
| G ² | 24" | 610 mm |
| I ³ | 18" | 457 mm |
| L | see user manual | |
| M ⁴ | 13" | 330 mm |
| P ⁴ | 13" | 330 mm |

Accessories



GT3T
Total-extraction telescopic guides



KITTKSPR36
Plinth, 3 sides, 900mm, SPR cookers 30", black



PALPZ
Pizza shovel with fold away handle



PPR9
Refractory pizza stone without handles

Color option



SPR36UIMAN
Color: Matt Black



SPR36UIMMW
Color: Matte white