

24" Fully-Integrated Dishwashers

STU8212
Universal
82 cm



Features

Flood protection system - Water damage prevention for peace of mind, thanks to Aqua Stop technology that automatically shuts off the water flow in case of a leak

General information

Number of place settings 13

Technical Features

End-of-cycle indicator	Acoustic signal
Washing system	Standard
Flood protection system	Single Aquastop
Drying system	Natural condensation drying
Hinges	Self-balancing with fixed hinges

Programs

Number of programs	5
Delicates	Yes

Options

Delay start	3-6-9 hours
Extra-dry option	Yes

Baskets

N° baskets	2
Cutlery basket	13 place settings
Upper basket height adjustment	On two height levels

Performance / Energy Label

Noise level	50 dB(A) re 1 pW
Energy Star	Yes

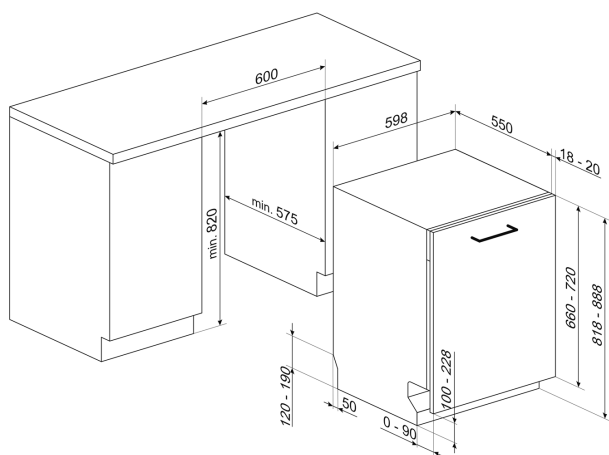
Electrical Connection

Current	13 A
Voltage	115 V
Frequency	60 Hz
Power Cord Length	140 "
Plug	(A) USA & Mexico

Logistic Information

Depth	21 7/16 "
Width	23 9/16 "
Height	32 3/16 "
Packaged depth	26 3/4 "
Packaged width	25 9/16 "
Packaged height	35 1/16 "
Gross weight	101 lbs

Product dimension drawing



Accessories



KIT6CX

Stainless steel panel with Canali handle for 60 cm. fully integrated dishwashers (h. 82)



KIT82CX

Door panel, stainless steel, Canali handle, fully integrated dishwashers, h.82 cm