

24" Fully-Integrated Dishwashers

STU8222
Universal
82 cm



Features

Orbital Wash System - Even water distribution, deep cleaning and low noise thanks to the dual rotating spray arms

Extra Glide Telescopic Guides - Smoother and more stable loading and unloading operations

Flood protection system - Enhanced protection and peace of mind with Total Aqua Stop, an advanced leak detection system that automatically shuts off the water supply if a leak is detected beneath the drum or within the water intake hose

Turbidity sensor Aquatest - Enhanced energy efficiency and improved cleaning performance thanks to the AquaTest turbidity sensor, which detects water clarity and helps optimize the wash cycle

Technical Features

Motor	Single phase
End-of-cycle indicator	Acoustic signal
Washing system	Orbital
Turbidity sensor Aquatest	Yes
Flood protection system	Total Aquastop
Drying system	Natural condensation drying
Hinges	Self-balancing with fixed hinges

Programs

Number of programs	10
Express	Yes
Delicates	Yes
Eco express	Yes
Auto	Yes

Options

Delay start	3-6-9 hours
-------------	-------------

Baskets

N° baskets	2
Cutlery basket	13 place settings
Upper basket height adjustment	On 3 levels

Performance / Energy Label

Noise level	49 dB(A) re 1 pW
Energy Star	Yes

Electrical Connection

Current	13 A
Voltage	115 V
Frequency	60 Hz
Power Cord Length	140 "
Plug	(A) USA & Mexico

General information

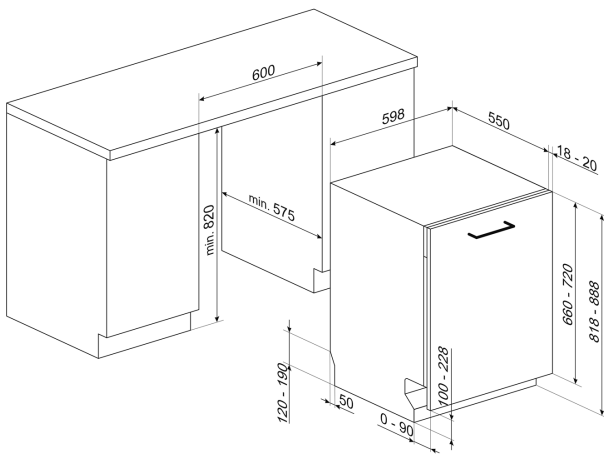
Number of place settings

13

Logistic Information

Depth	21 7/16 "
Width	23 9/16 "
Height	32 3/16 "
Packaged depth	26 3/4 "
Packaged width	25 9/16 "
Packaged height	35 1/16 "
Gross weight	106 lbs

Product dimension drawing



Accessories



KIT6CX

Stainless steel panel with Canali handle for 60 cm. fully integrated dishwashers (h. 82)



KIT82CX

Door panel, stainless steel, Canali handle, fully integrated dishwashers, h.82 cm