

ALFA43X

Product Family	Ovens
Subfamily	Convection oven 4 trays 435x320 mm
Oven type	Convection oven
Oven controls	Mechanical
Tray capacity	4 trays 435x320 mm
Default power supply	230 V~ / 13 A / 3,0 kW / 50 Hz
Maximum depth with open door	993 mm
Adjustable feet	Yes
Net weight (kg)	32.800 kg
Product dimensions WxDxH	602x580x537 mm
EAN code	8017709236731



Target

Potential users	Bars/Cafes; Hotels; Restaurants/Catering; Bakery/Pastry making; Industrial pastry & bakery test kitchen; Butcher's shops; QSR
------------------------	--

Aesthetics

Colour	Stainless steel	Front panel	Yes
Door with stainless steel strip	Yes	Logo	Smeg printed

Controls

Adjustable timer	1-60 minutes + continuous
-------------------------	---------------------------

Options

Other versions	ALFA43UK version with English plug; ALFA43K version 60Hz; ALFA43KSA version 60Hz with English plug	Condense hood	Restaurants/Catering
-----------------------	--	----------------------	----------------------

Accessories Included

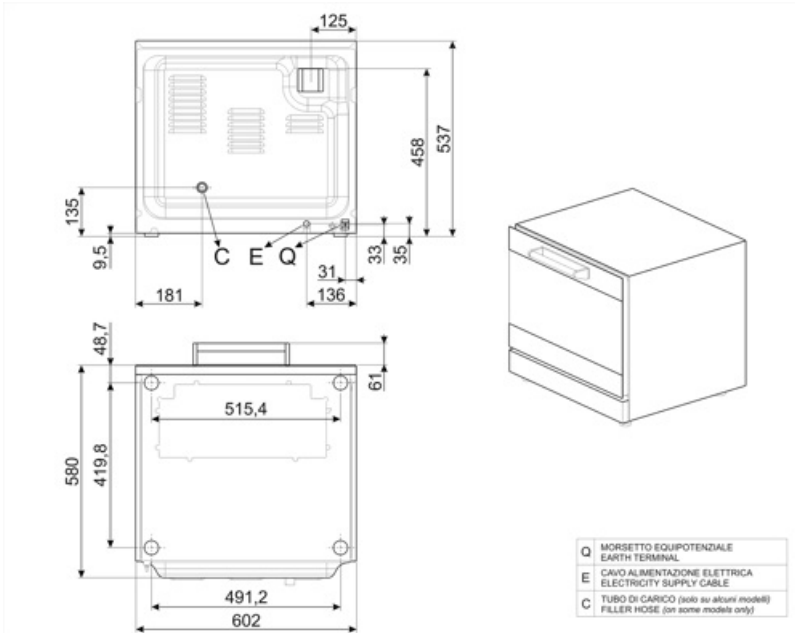
Flat aluminium tray 4 x trays
3820

Electrical Connection

Plug (F;E) Schuko

Construction

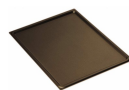
Oven material	Stainless steel/glass/plastics	Max motor speed (rpm)	2700 rpm
Cavity dimensions (WxDxH)	460x360x425mm	Exhaust exit	Back
Internal net volume	54.5 lt	Time adjustment	Electromechanical timer
Cavity material	Easy clean enamel	Temperature range	50-250°C
No. of shelves	4	End of cooking alarm	Yes
Tray support frame	Chrome	Orange light indicator when t° achieved	Yes
Distance between shelves	80 mm	Green light indicator when time achieved	Yes
Door construction	Yes	Manual safety thermostat reset	Yes
Door opening	Drop down	Removable deflector	Yes
Handle type	Smeg	No. of lights	1 Halogen light
Inner glass	Removable	Light power	40 W
Fan type and number	1	Power cable length	115 cm
Fan motor power	Double speed	Back panel	Galvanized
Fan speed	Single speed	IPX protection	Scheduled start H/12



Compatible Accessories



3755
Flat perforated aluminium tray



3780
Flat non-stick trays



3820
Flat aluminium tray



3900
Flat chrome-plated wire grid (4pcs)



3926
Air flow reducer kit



4730
External tank kit 5 lt.

Symbols glossary



Fan forced