

ALFA43XEH

Family	Professional ovens
Subfamily	Convection oven 4 trays 435x320 mm
Oven type	Convection oven with humidification
Power supply	230 V~ / 13 A / 3,0 kW / 50-60 Hz
Program storage with application	Not available
Adjustable feet	Yes
Product dimensions (WxDxH)	602x580x537 mm
Maximum depth with open door	1178 mm



Target

Industries	Bar / Cafeterias / Bistros / Wine bars / Pubs; Hotels; Restaurants; Bakeries / Pastry shops; Food Industries; Food retail; QSR	Destination	Not available for EU market
-------------------	--	--------------------	-----------------------------

Aesthetics

Door with stainless steel stripes	Yes	Digit display color	Red
Colour	Stainless steel	Front panel	Yes

Controls

Timer setting range	1-99 minutes + endless
----------------------------	------------------------

Options

60Hz version	Yes	Combinable hood	K43X
---------------------	-----	------------------------	------

Accessories included

Aluminized tray 3820	kit of 4 pieces
-----------------------------	-----------------

Electrical Connection

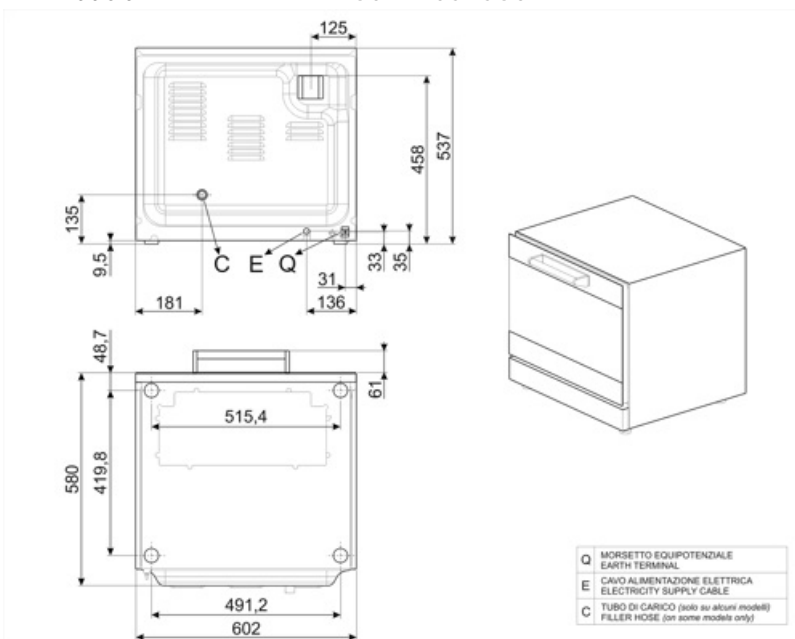
Plug (F;E) Schuko

Construction

Oven materials	Stainless steel / glass / plastics	Water injection on each fan	Yes
Cavity dimensions (WxDxH)	460x360x425 mm	Humidification levels	3 + manual
Internal net volume	54,5 lt	Exhaust position	Back
Cavity material	Ever Clean enamel	Timer type	Electrical
Shelves number	4	Temperature range	50-280°C
Tray frame support	Chromed wire	End cooking signal	Yes
Shelves distance	80 mm	Manual reset safety thermostat	Yes
Door construction	Double glass	Removable deflector	Yes
Door opening	Tilting	Lighting	1 Halogen lamp
Handle type	Fixed	Light power	40 W
Glass	Openable with clip	Water load pipe	Yes
Fan motor power	80 W	Power cable length	115 cm
Engine rpm	Single speed	Back panel	Galvanized
Motor rpm in standard speed	2700 rpm	IPX protection	IPX3

Logistic Information

Packed product dimensions (WxDxH)	625x695x610 mm	Net weight	34.200 kg
EAN code	8017709198671	Gross weight	36.300 kg

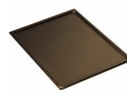


Compatible Accessories



3755

Kit of 4 perforated aluminum-coated sheet metal trays 435×320 mm



3780

Kit of 4 non-stick trays 435×320 mm



3926

Air flow reducer kit for ALFA43/425 ovens



4730

5-litre external tank kit for ALFA43 ovens

Symbols glossary



Fan forced heating with humidity injection

Benefit (TT)

Clip-open

Easily accessible glass for effortless maintenance and cleaning

The glass panels are designed to be easily accessible and inspectable, ensuring great convenience during cleaning and maintenance operations. This feature significantly simplifies the process, making it quick and efficient, while ensuring that every intervention can be carried out with maximum comfort and complete safety.