

ALFA625EHDS

Product Family	Ovens
Subfamily	4 trays 600x400 mm o GN1/1
Oven type	Fan with humidification
Default power supply	400 V 3N~ / 16 A / 10,5 kW / 50-60 Hz
App for recipe development and upload	Not available
Maximum depth with open door	1521 mm
Adjustable feet	Yes
Net weight (kg)	78,000 kg
Product dimensions WxDxH	798x757x793 mm
EAN code	8017709278212



Target

Potential users	Bars/Cafes; Hotels; Restaurants/Catering; Bakery/Pastry making; Industrial pastry & bakery test kitchen; Butcher's shops	Suggested for	Bars/Cafes
------------------------	--	----------------------	------------

Aesthetics

Colour	Stainless steel	Digital display colour	White
Door with stainless steel strip	Yes	Front panel	Yes
Display type	Yes	Logo	Smeg printed

Controls

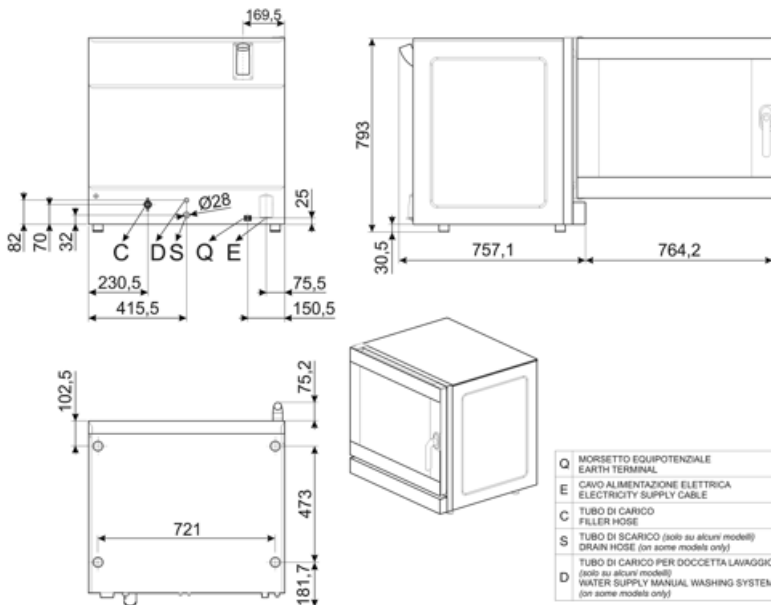
Number of recipes	99	Adjustable chimney	On/off
Adjustable timer	1-60 minutes + continuous	HACCP data	Scheduled start H/12
Cooking steps	9		

Options

Right hand hinge	ALFA625EHDSR	Condense hood	K4610X
-------------------------	--------------	----------------------	--------

Construction

Oven material	Stainless steel/glass/plastics	Exhaust exit	Back
Cavity dimensions (WxDxH)	672x437x546mm	Cooling system	Yes
Gross volume	460x360x425mm	Time adjustment	Electronic timer
Net volume	460x360x425mm	Temperature range	50-280°C
Internal net volume	127,3 lt	End of cooking alarm	Yes
Cavity material	Stainless steel	Heating element interruption with open door	Yes
No. of shelves	6	Manual safety thermostat reset	Yes
Tray support frame	Chrome	Core probe cooking with Δt	Yes
Distance between shelves	77 mm	Removable deflector	Yes
Door construction	Yes	Lights with door open	Yes
Door opening	Lateral	No. of lights	2 LED lights
Handle type	New ergonomics	Light power	40 W
Inner glass	Openable	USB port	Yes
Fan motor power	200W	Water connection	Yes
Max motor speed (rpm)	2	Power cable length	170 cm
Low motor speed (rpm)	2	Back panel	Galvanized
Humidification system on each fan	Yes	IPX protection	Scheduled start H/12
Steam assisted levels	5 + manual		



Compatible Accessories



3743
Flat aluminium tray



3751
Flat perforated aluminium tray



3805
Flat chrome-plated wire grid

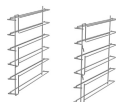


3810
Corrugated grid for baguettes



3927
Air flow reducer kit

KITSC
Lower and upper shelf kit



RGN11-625-2

Symbols glossary



Core probe



Core probe + Δt



Double speed fan



Fan forced



Fan with humidification