

APM862

Sink material	Stainless steel
Type	Welded sink
No. of bowls	2
EAN code	8017709084486



Aesthetics



Aesthetic	Universale	Building in type	Standard
Series	Alba	Logo	Embossed
Colour	Stainless steel	Tap hole / precut tap hole	1 Tap hole
Finishing	Microlinen (anti-scratch)		

	Bowl type RH	Bowl thickness (mm)	Bowl dimensions, WxDxH (mm)	Bowl depth (mm)	Radius corner right bowl (mm)	Overflow	Strainer position	Strainer dimension
RH Bowl	Traditional	0.7	340 x 400 x 210	210	80	Yes, traditional	Wall position	3.5"
LH Bowl	Traditional	0.7	340 x 400 x 210	210	80		Wall position	3.5"

Technical Features

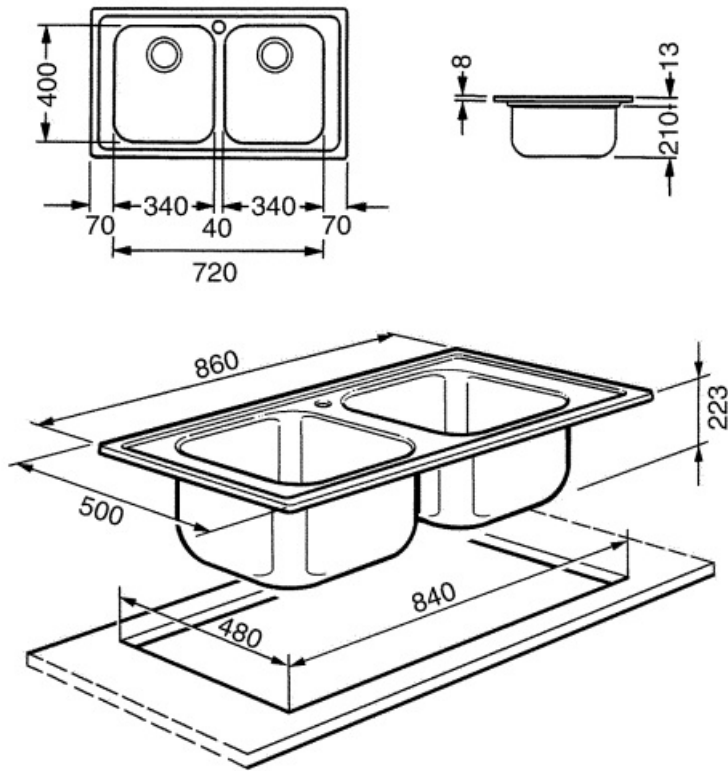


Frame thickness	0,7 mm	Tap hole	1
Frame depth (mm)	13	Tap hole diameter	35 mm
Dimensions of the product (mm)	220x860x500 mm	Dividing wall width	30 mm
Cutout dimension topmount (mm)	840 x 480 mm	Gasket type	Sealing paste
Height from kitchen top	8 mm	No. of clips	10
Base unit size	90 cm	Type of clips	Standard

Accessories Included

Accessories for installation

Strainer, Savespace siphon with dishwasher outlet connection, Fixing clips, Gasket



Not included accessories



KITFD050

Waste disposal 0,5 HP, Motor: 1/2 horsepower, Fits all sinks with 3 1/2" waste outlet



KITFD100

Waste disposal 1 HP, Motor: 1/2 horsepower, Fits all sinks with 3 1/2" waste outlet



CB34

Single wooden chopping board to fit STD radius 340 x 400 mm bowl



RND2V

2 Bowls standard Rondò waste kit with rectangular overflow



DB34

St/steel drain basket to fit STD radius 340 x 400 bowl, 180 mm depth



STABMIX


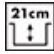

Tap stabiliser



KITFD075

Waste disposal 0,75 HP, Motor: 1/2 horsepower, Fits all sinks with 3 1/2" waste outlet

Symbols glossary (TT)

- | | | | |
|--|--|---|---|
|  | Cupboard width required for sink installation |  | Sink depth - depending on the model, the depth can be from 13 to 24,5 |
|  | Standard installation: Traditional installation in tabletop, suitable for any kitchen sets | | |