

CIR597X5



Product Family	Hob
Built-in type	Traditional
Dimensions	90 cm
Power supply	Gas
Type	Gas
EAN code	8017709110710



Aesthetics



Aesthetic	Classic
Colour	Stainless steel
Finishing	Satin
Material	Stainless Steel
Type of steel	Brushed
Pan stands	Cast iron
Type of control setting	Control knobs
Control knob position	Front
No. of controls	6
Controls colour	Steel effect
Logo	Silk screen
Serigraphy colour	Grey

Program / Functions

No. of gas cook zones	5
Total no. of cook zones	5

Options

Standard cut out	478-482x839-844 mm
------------------	--------------------

Technical Features

UR

Left - Gas - 2UR (dual) - 3.90 kW
 Rear-centre - Gas - Rapid - 3.10 kW
 Front-centre - Gas - AUX - 1.10 kW
 Rear-right - Gas - Semi Rapid - 1.70 kW
 Front-right - Gas - Semi Rapid - 1.70 kW
 Gas safety valves Yes

Automatic Ignition Yes

Electrical Connection

Power supply cable length 120 cm

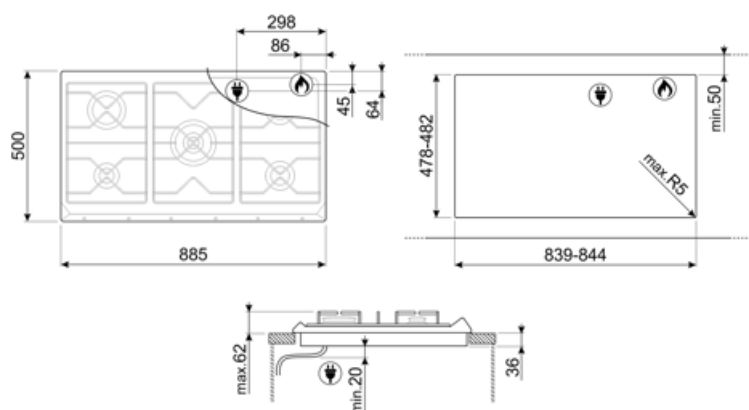
Plug No

Gas Connection





Gas Type G20 Natural gas
Gas connection Cilindrical

Other gas nozzles included

G25 Natural gas, G30 GPL
 Liquid gas



Symbols glossary

- | | | | |
|--|--|---|--|
|  | Standard installation: Traditional installation in tabletop, suitable for any kitchen sets |  | Heavy duty cast iron pan stands: for maximum stability and strength. |
|  | Ultra rapid burners: Powerful ultra rapid burners offer up to 5kw of power. |  | Knobs control |