

# CIR93AXS3



<b>Product Family</b>	Hob
<b>Built-in type</b>	Traditional
<b>Dimensions</b>	90 cm
<b>Power supply</b>	Mixed
<b>Type</b>	Gas
<b>EAN code</b>	8017709105761



## Aesthetics



<b>Aesthetic</b>	Classic
<b>Colour</b>	Stainless steel
<b>Finishing</b>	Satin
<b>Material</b>	Stainless Steel
<b>Type of steel</b>	Brushed
<b>Pan stands</b>	Cast iron
<b>Burners</b>	Smeg Contemporary
<b>Burners Material</b>	Alluminium
<b>Type of control setting</b>	Control knobs
<b>Control knob position</b>	Lateral
<b>No. of controls</b>	5
<b>Controls colour</b>	Steel effect
<b>Control knob protection</b>	Yes
<b>Logo</b>	Applied
<b>Serigraphy colour</b>	Grey

## Program / Functions

<b>No. of gas cook zones</b>	5
<b>Total no. of cook zones</b>	5

## Options

<b>Standard cut out</b>	478x839-844 mm
-------------------------	----------------

## Technical Features

**UR**

Front-right - Gas - AUX - 1.35 kW

Rear-right - Gas - Rapid - 2.40 kW

Rear-left - Gas - Semi Rapid - 1.65 kW

Front-left - Gas - UR - 4.15 kW

**8th zone position** Central  
**8th zone power** 3,20 kW

**Gas safety valves** Yes  
**Automatic Ignition** Yes

## Accessories Included

**Pan reducer/Moka stand** 1

**Wok stand**

1

## Electrical Connection

**Electrical connection rating (W)** 1 W

**Power supply cable length**

120 cm

**Voltage (V)** 230-240 V

**Plug**

(I) Australia

**Frequency (Hz)** 50/60 Hz

## Gas Connection

**Gas Type** G20 Natural gas

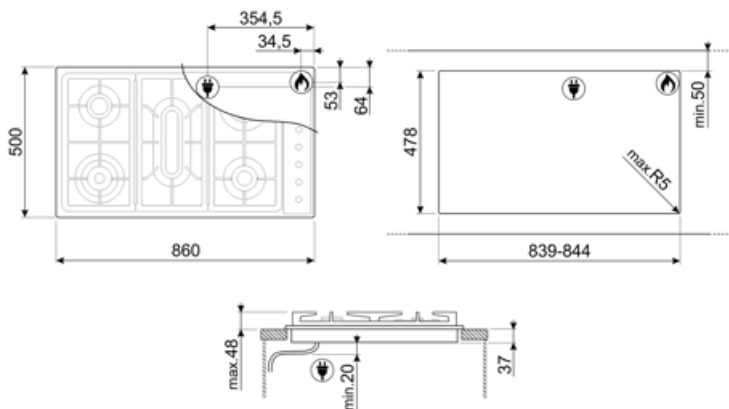
**Other gas nozzles included**

G30 GPL Liquid gas

**Gas connection** Conical

**Gas connection rating (W)**

12694,4 W



---

## Compatible Accessories

---



**GRM**

Gas hobs moka support



**GRW**

Wok support







**WOKGHU**

Cast-Iron WOK Support

---

## Symbols glossary

---

- |  |  |   |  |
|--|--|---|--|
|  | Standard installation: Traditional installation in tabletop, suitable for any kitchen sets |  | Heavy duty cast iron pan stands: for maximum stability and strength. |
|  | Ultra rapid burners: Powerful ultra rapid burners offer up to 5kw of power.                |  | Knobs control  |