

CIR93AXS3



Product Family	Hob
Built-in type	Traditional
Dimensions	90 cm
Power supply	Mixed
Type	Gas
EAN code	8017709105761



Aesthetics



Aesthetic	Classic
Colour	Stainless steel
Finishing	Satin
Material	Stainless Steel
Type of steel	Brushed
Pan stands	Cast iron
Burners	Smeg Contemporary
Burners Material	Alluminium
Type of control setting	Control knobs
Control knob position	Lateral
No. of controls	5
Controls colour	Steel effect
Control knob protection	Yes
Logo	Applied
Serigraphy colour	Grey

Program / Functions

No. of gas cook zones	5
Total no. of cook zones	5

Options

Standard cut out	478x839-844 mm
------------------	----------------

Technical Features

UR

Front-right - Gas - AUX - 1.35 kW

Rear-right - Gas - Rapid - 2.40 kW

Rear-left - Gas - Semi Rapid - 1.65 kW

Front-left - Gas - UR - 4.15 kW

8th zone position	Central	Gas safety valves	Yes
8th zone power	3,20 kW	Automatic Ignition	Yes

Accessories Included

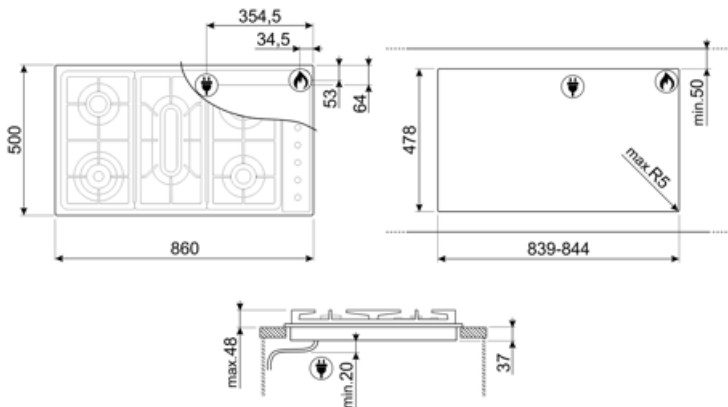
Pan reducer/Moka stand	1	Wok stand	1
-------------------------------	---	------------------	---

Electrical Connection

Electrical connection rating (W)	1 W	Power supply cable length	120 cm
Voltage (V)	230-240 V	Plug	(I) Australia
Frequency (Hz)	50/60 Hz		

Gas Connection

Gas Type	G20 Natural gas	Other gas nozzles included	G30 GPL Liquid gas
Gas connection	Conical	Gas connection rating (W)	12694,4 W



Compatible Accessories



GRM

Gas hobs moka support



GRW





Wok support



WOKGHU

Cast-Iron WOK Support

Symbols glossary

- | | | | |
|--|--|---|--|
|  | Standard installation: Traditional installation in tabletop, suitable for any kitchen sets |  | Heavy duty cast iron pan stands: for maximum stability and strength. |
|  | Ultra rapid burners: Powerful ultra rapid burners offer up to 5kw of power. |  | Knobs control |