

CPR115B3

| | |
|-------------------|--------|
| Product Family | Drawer |
| Commercial height | 14 cm |
| Type | Reheat |



Aesthetics

| | | | |
|------------|--------------|-------------------------|----------------------|
| Aesthetic | Linea | Front panel | Full glass |
| Colour | Black | Logotipo | Logotipo serigrafado |
| Acabamento | Glossy black | Localização do logotipo | Logotipo exterior |
| Material | Glass | | |

Controls

| | | | |
|-----------------------------|------------------|---------------------|-------------------|
| Display | No | No. of controls | 1 |
| Type of control setting | Control knobs | Design dos comandos | Comandos Standard |
| Type of temperature control | Electro-mechanic | Controls colour | Steel effect |

Program / Functions

| | |
|-------------|-----|
| Defrost | Yes |
| Proofing | Yes |
| Mug warmer | Yes |
| Keep warm | Yes |
| Dish warmer | Yes |
| Reheating | Yes |

Technical Features

| | | | |
|----------------------|-----------------|---------------------|------------|
| Opening mechanism | Push-pull | Capacity | 21 l |
| Base material | Stainless steel | Tipo de aquecimento | Ventilacao |
| Max weight allowance | 15 kg | | |

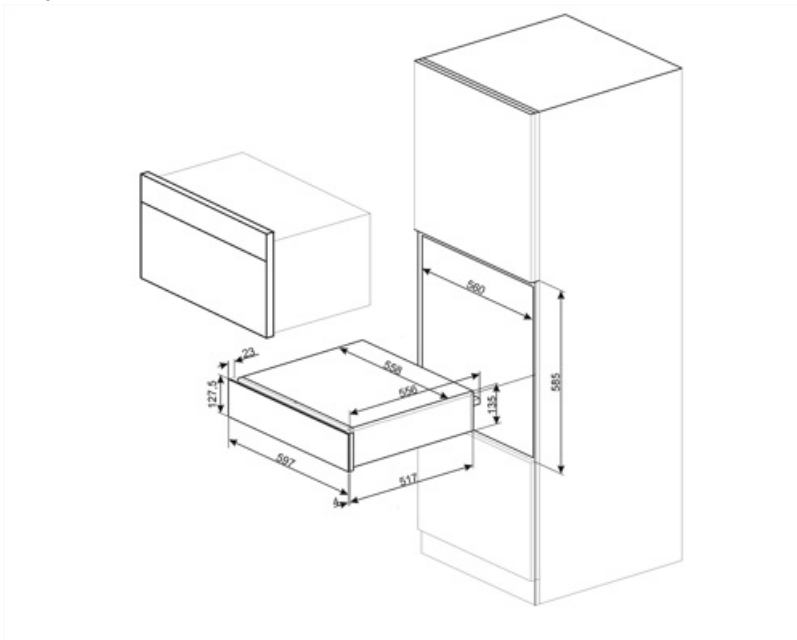
| | | | |
|--------------------------------------|-------|-----------------------------|-----------------------|
| Maximum drawer loading weight | 85 kg | Accessories included | Silicone antislip mat |
|--------------------------------------|-------|-----------------------------|-----------------------|

Electrical Connection

| | | | |
|----------------------|--------------|-----------------------|-----------|
| Plug | (F;E) Schuko | Voltage (V) | 220-240 V |
| Nominal power | 400 W | Frequency (Hz) | 50-60 Hz |
| Current | 2 A | | |

Logistic Information

| | | | |
|-------------------|--------|----------------------------|--------|
| Width (mm) | 597 mm | Product Height (mm) | 135 mm |
| Depth (mm) | 538 mm | | |



Compatible Accessories

KITCABLE90UK

Cabo com conector IEC e plugue RU

Benefit (TT)

Steel base

Presence of non-slip silicone mat; removable and useful for placing dishes without them slipping, to avoid soiling the base of the drawer and to prevent scratches.

Push-pull door opening

With a simple push, the drawer opens and then closes again by pushing it back.

Functions available

Functions can be selected directly from the knob: keep warm, reheating, defrost, dish warmer, proofing and mug warmer