

# CPR115N

Product Family	Drawer
Commercial height	15 cm
Type	Reheat



## Aesthetics

Aesthetic	Linea	Front panel	Full glass
Colour	Black	Logotipo	Logotipo serigrafado
Acabamento	Glossy black	Localização do logotipo	Logotipo exterior
Material	Glass		

## Controls

Display	No	Design dos comandos	Comandos Standard
Type of control setting	Control knobs	Controls colour	Steel effect
No. of controls	1		

## Program / Functions

Defrost	Yes
Proofing	Yes
Mug warmer	Yes
Keep warm	Yes
Dish warmer	Yes
Reheating	Yes
Timer	No

## Technical Features

Opening mechanism	Push-pull	Capacity	21 l
Base material	Stainless steel	Tipo de aquecimento	Ventilacao

**Max weight allowance** 15 kg  
**Maximum drawer loading weight** 85 kg

**Accessories included** Silicone antislip mat

## Electrical Connection

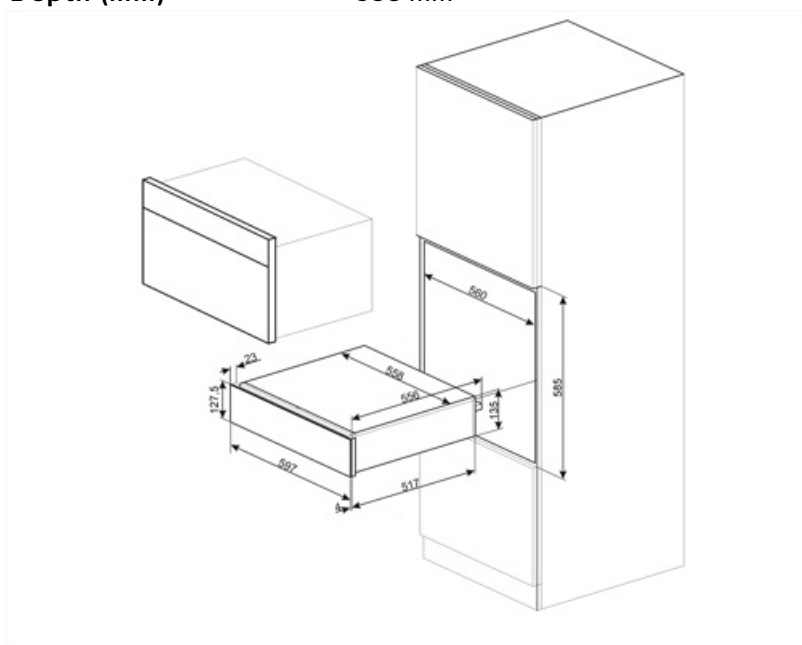
**Plug** (F;E) Schuko  
**Nominal power** 400 W  
**Current** 2 A

**Voltage (V)** 220-240 V  
**Frequency (Hz)** 50-60 Hz

## Logistic Information

**Width (mm)** 597 mm  
**Depth (mm)** 538 mm

**Product Height (mm)** 135 mm



---

## Compatible Accessories

---

**KITCABLE90UK**

Cabo com conector IEC e plugue RU

## Benefit (TT)

---

### **Steel base**

Presence of non-slip silicone mat; removable and useful for placing dishes without them slipping, to avoid soiling the base of the drawer and to prevent scratches.

### **Push-pull door opening**

With a simple push, the drawer opens and then closes again by pushing it back.