

CPR115S

Product Family	Drawer
Commercial height	15 cm
Type	Reheat



Aesthetics

Aesthetic	Linea	Type of steel	Brushed
Colour	Silver	Front panel	Full glass
Finishing	Silver	Logo	Silk screen
Material	Glass	Logo position	External

Controls

Type of control setting	Control knobs	Control knobs	Standard
No. of controls	1	Controls colour	Steel effect

Program / Functions

Defrost	Yes
Proofing	Yes
Mug warmer	Yes
Keep warm	Yes
Dish warmer	Yes
Reheating	Yes

Technical Features

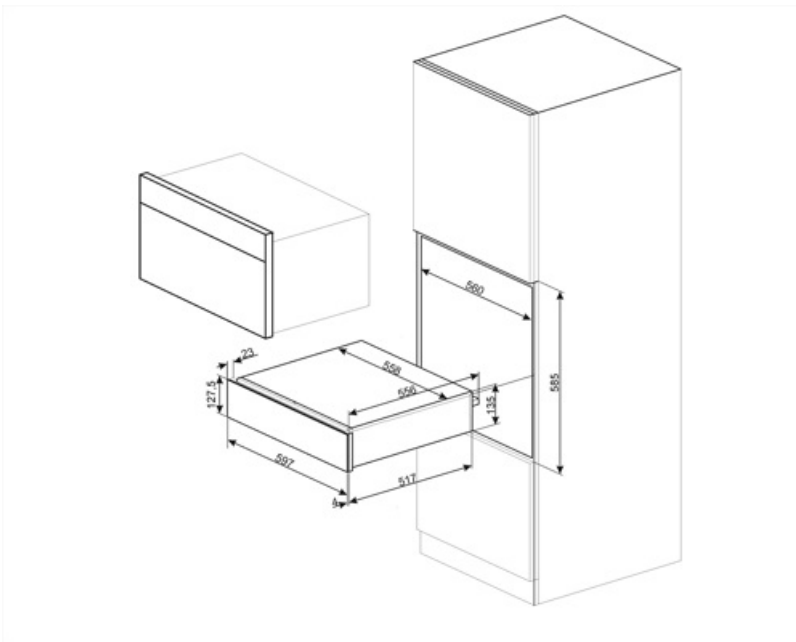
Opening mechanism	Push-pull	Capacity	21 l
Base material	Stainless steel	Type of heating	Fan assisted
Max weight allowance	15 kg	Accessories included	Silicone antislip mat
Maximum drawer loading weight	85 kg		

Electrical Connection

Plug	(F;E) Schuko	Voltage (V)	220-240 V
Nominal power	400 W	Frequency (Hz)	50-60 Hz
Current	2 A		

Logistic Information

Width (mm)	597 mm	Product Height (mm)	135 mm
Depth (mm)	538 mm		



Compatible Accessories

KITCABLE90UK

Cable with IEC connector and UK plug