

CPR115S

Product Family	Drawer
Commercial height	15 cm
Type	Warming/reheat



Aesthetics

Aesthetics	Linea	Type of steel	Brushed
Colour	Silver	Front panel	Full glass
Finishing	Silver	Logo	Silk screen
Material	Glass	Logo position	External

Controls

Type of control setting	Control knobs	Control knobs	Standard
No. of controls	1	Controls colour	Steel effect

Technical Features

Opening mechanism	Push-pull	Capacity	21 l
Base material	Stainless steel	Type of heating	Fan assisted
Max weight allowance	15 kg	Accessories included	Silicon antislip mat
Maximum drawer loading weight	85 kg		

Electrical Connection

Plug	(F;E) Schuko	Voltage (V)	220-240 V
Nominal power	400 W	Frequency (Hz)	50-60 Hz
Current	2 A		

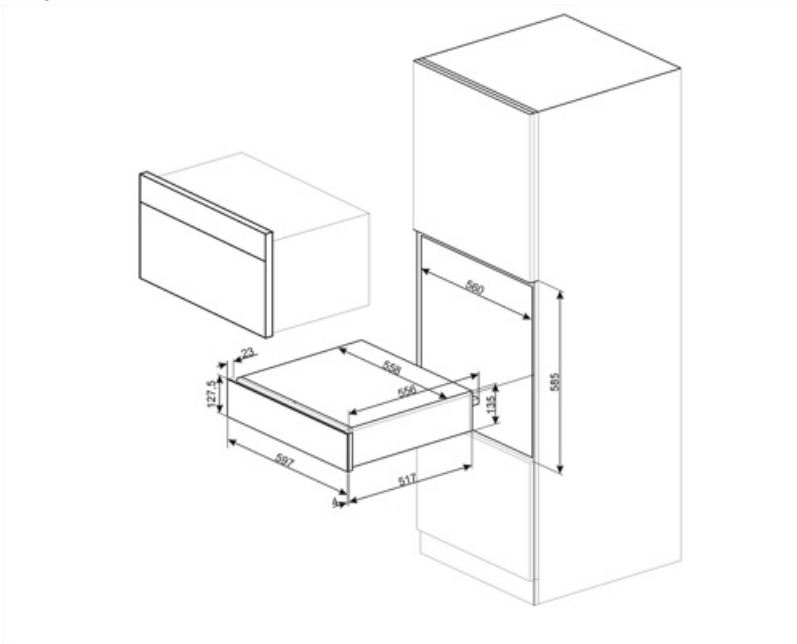
Logistic Information

Width (mm)
Depth (mm)

597 mm
538 mm

Product Height (mm)

135 mm



Not included accessories

KITCABLE90UK

Cable with IEC connector and UK plug

Benefit

Steel base

Presence of non-slip silicone mat; removable and useful for placing dishes without them slipping, to avoid soiling the base of the drawer and to prevent scratches.

Push-pull door opening

Effortlessly open and close the drawer with a simple push mechanism