

CPR115S

| | |
|-------------------|--------|
| Product Family | Drawer |
| Commercial height | 15 cm |
| Type | Reheat |



Aesthetics

| | | | |
|------------|--------|-------------------------|----------------------|
| Aesthetic | Linea | Type of steel | Brushed |
| Colour | Silver | Front panel | Full glass |
| Acabamento | Silver | Logotipo | Logotipo serigrafado |
| Material | Glass | Localização do logotipo | Logotipo exterior |

Controls

| | | | |
|-------------------------|---------------|---------------------|-------------------|
| Display | No | Design dos comandos | Comandos Standard |
| Type of control setting | Control knobs | Controls colour | Steel effect |
| No. of controls | 1 | | |

Program / Functions

| | |
|-------------|-----|
| Defrost | Yes |
| Proofing | Yes |
| Mug warmer | Yes |
| Keep warm | Yes |
| Dish warmer | Yes |
| Reheating | Yes |
| Timer | No |

Technical Features

| | | | |
|-------------------|-----------------|---------------------|------------|
| Opening mechanism | Push-pull | Capacity | 21 l |
| Base material | Stainless steel | Tipo de aquecimento | Ventilacao |

Max weight allowance 15 kg
Maximum drawer loading weight 85 kg

Accessories included Silicone antislip mat

Electrical Connection

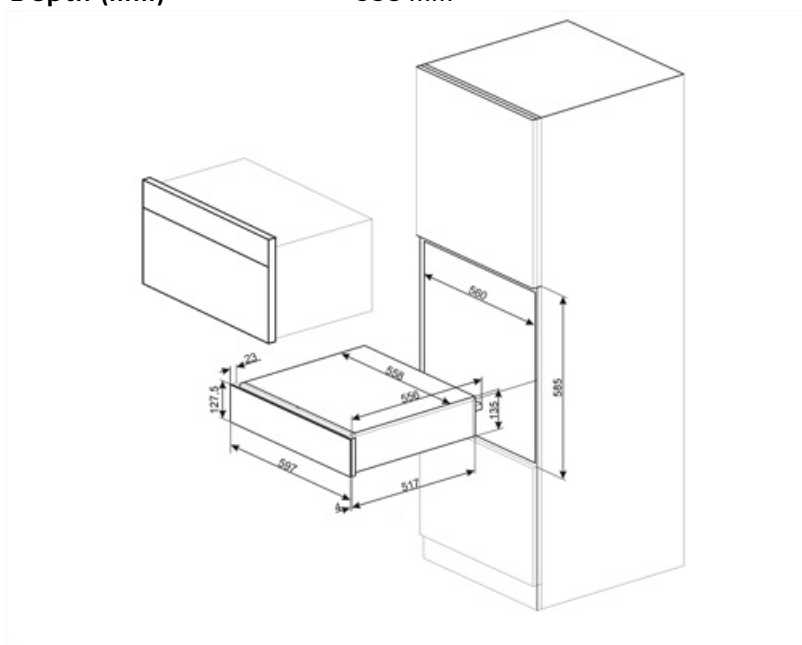
Plug (F;E) Schuko
Nominal power 400 W
Current 2 A

Voltage (V) 220-240 V
Frequency (Hz) 50-60 Hz

Logistic Information

Width (mm) 597 mm
Depth (mm) 538 mm

Product Height (mm) 135 mm



Compatible Accessories

KITCABLE90UK

Cabo com conector IEC e plugue RU

Benefit (TT)

Steel base

Presence of non-slip silicone mat; removable and useful for placing dishes without them slipping, to avoid soiling the base of the drawer and to prevent scratches.

Push-pull door opening

With a simple push, the drawer opens and then closes again by pushing it back.