

CPR315N

Product Family	Drawer
Commercial height	14 cm
Type	Warming/reheat



Aesthetics

Aesthetics	Classic	Material	Painted material
Colour	Matte Black	Logo	Silk screen
Finishing	Matte	Logo position	External

Controls

Type of control setting	Control knobs	Control knobs	Standard
Type of temperature control	Electro-mechanic	Controls colour	Steel effect
No. of controls	1		

Program / Functions

Defrost	Yes
Proofing	Yes
Mug warmer	Yes
Keep warm	Yes
Dish warmer	Yes
Reheating	Yes

Technical Features

Opening mechanism	Push-pull	Type of heating	Fan assisted
Base material	Stainless steel	Minimum temperature	30 °C
Max weight allowance	15 kg	Maximum temperature	80 °C

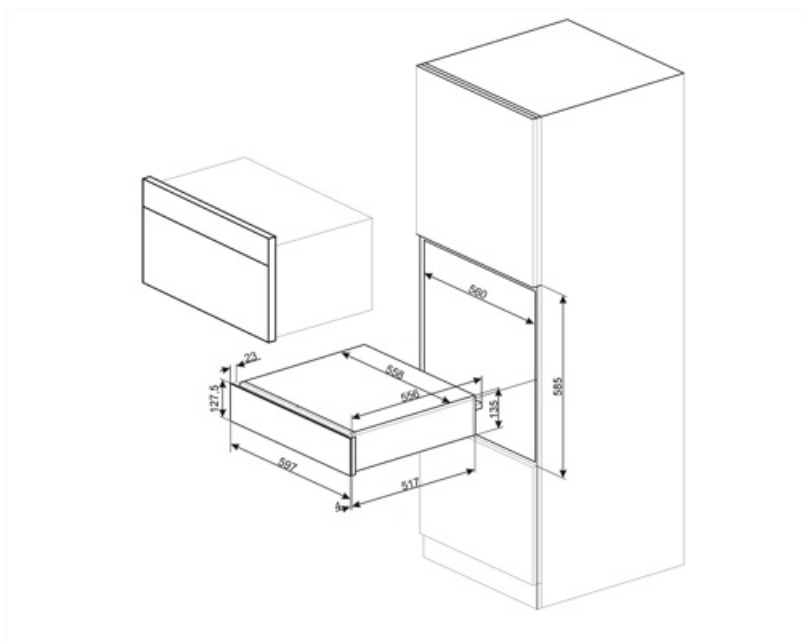
Maximum drawer loading weight	85 kg	Accessories included	Silicon antislip mat
Capacity	21 l		

Electrical Connection

Plug	(F;E) Schuko	Voltage (V)	220-240 V
Nominal power	400 W	Frequency (Hz)	50-60 Hz
Current	2 A		

Logistic Information

Width (mm)	597 mm	Product Height (mm)	135 mm
Depth (mm)	538 mm		



Compatible Accessories

KITCABLE90UK

Cable with IEC connector and UK plug

Alternative products

CPR315X

Colour: Stainless steel



Symbols glossary



Fingerprint proof stainless steel: Fingerprint proof stainless steel keeps stainless steel looking as good as new.