

CPR615NX

Product Family	Drawer
Commercial height	15 cm
Type	Reheat



Aesthetics

Aesthetic Colour	Dolce Stil Novo Black	Glass type	Eclipse
Acabamento	Glossy black	Front panel	With horizontal strip
Component finishing	Stainless steel	Logotipo	Logotipo serigrafado
Material	Glass	Localização do logotipo	Logotipo no interior

Controls

Display	No	Design dos comandos	Comandos Standard
Type of control setting	Control knobs	Controls colour	Steel effect
No. of controls	1		

Program / Functions

Defrost	Yes
Proofing	Yes
Mug warmer	Yes
Keep warm	Yes
Dish warmer	Yes
Reheating	Yes
Timer	No

Technical Features

Opening mechanism	Push-pull	Capacity	21 l
--------------------------	-----------	-----------------	------

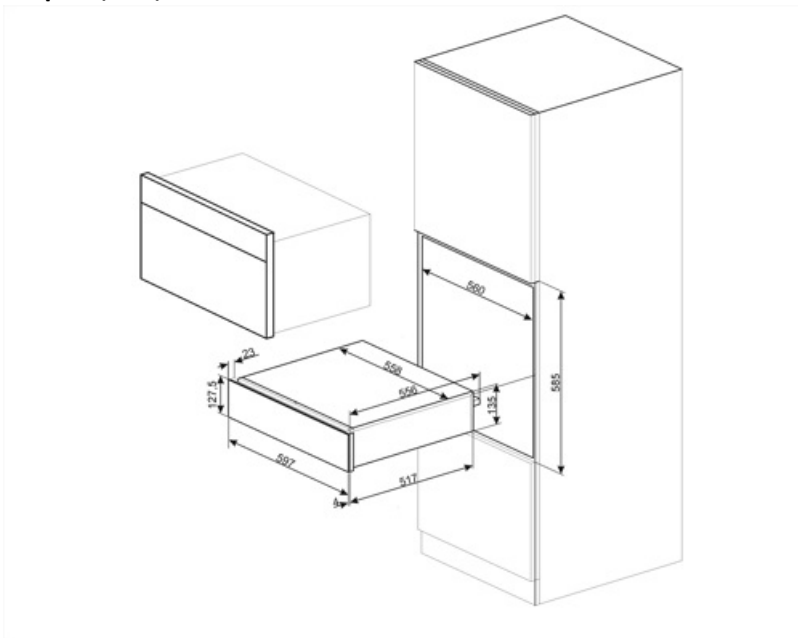
Base material	Stainless steel	Tipo de aquecimento	Ventilacao
Max weight allowance	15 kg	Accessories included	Silicone antislip mat
Maximum drawer loading weight	85 kg		

Electrical Connection

Plug	(F;E) Schuko	Voltage (V)	220-240 V
Nominal power	400 W	Frequency (Hz)	50-60 Hz
Current	2 A		

Logistic Information

Width (mm)	597 mm	Product Height (mm)	135 mm
Depth (mm)	538 mm		



Compatible Accessories

KITCABLE90UK

Cabo com conector IEC e plugue RU

Benefit (TT)

Steel base

Presence of non-slip silicone mat; removable and useful for placing dishes without them slipping, to avoid soiling the base of the drawer and to prevent scratches.

Push-pull door opening

With a simple push, the drawer opens and then closes again by pushing it back.