

# CPR815A

Product Family	Drawer
Commercial height	15 cm
Type	Reheat



## Aesthetics

Aesthetic	Colonial	Material	Painted material
Colour	Anthracite	Logotipo	Logotipo serigrafado
Acabamento	Opaco	Localização do logotipo	Logotipo no interior

## Controls

Display	No	Design dos comandos	Comandos Standard
Type of control setting	Control knobs	Controls colour	Steel effect
No. of controls	1		

## Program / Functions

Defrost	Yes
Proofing	Yes
Mug warmer	Yes
Keep warm	Yes
Dish warmer	Yes
Reheating	Yes
Timer	No

## Technical Features

Opening mechanism	Push-pull	Capacity	21 l
Base material	Stainless steel	Tipo de aquecimento	Ventilacao
Max weight allowance	15 kg	Accessories included	Silicone antislip mat

---

Maximum drawer loading weight 85 kg

## Electrical Connection

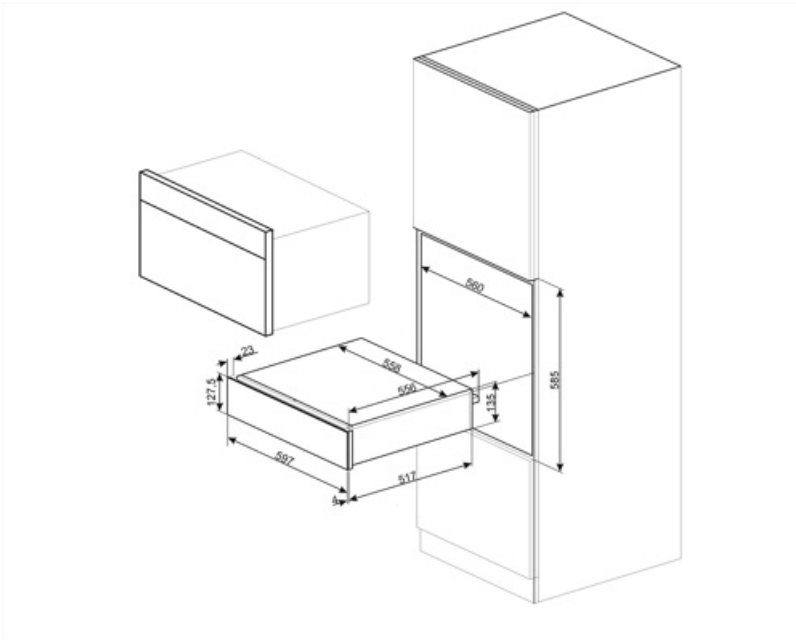
---

Plug	(F;E) Schuko	Voltage (V)	220-240 V
Nominal power	400 W	Frequency (Hz)	50-60 Hz
Current	2 A		

## Logistic Information

---

Width (mm)	597 mm	Product Height (mm)	135 mm
Depth (mm)	538 mm		



---

## Compatible Accessories

---

**KITCABLE90UK**

Cabo com conector IEC e plugue RU

---

## Benefit (TT)

---

### **Steel base**

Presence of non-slip silicone mat; removable and useful for placing dishes without them slipping, to avoid soiling the base of the drawer and to prevent scratches.

### **Push-pull door opening**

With a simple push, the drawer opens and then closes again by pushing it back.