

# CPR915X

Product Family	Drawer
Commercial height	14 cm
Type	Warming/reheat



## Aesthetics

Aesthetics	Victoria	Type of steel	Brushed
Colour	Stainless steel	Logo	Silk screen
Finishing	Fingerproof	Logo position	Inside
Material	Stainless steel		

## Controls

Type of control setting	Control knobs	Control knobs	Standard
Type of temperature control	Electro-mechanic	Controls colour	Steel effect
No. of controls	1		

## Program / Functions

Defrost	Yes
Proofing	Yes
Mug warmer	Yes
Keep warm	Yes
Dish warmer	Yes
Reheating	Yes

## Technical Features

Opening mechanism	Push-pull	Capacity	21 l
Base material	Stainless steel	Type of heating	Fan assisted
Max weight allowance	15 kg		

---

<b>Maximum drawer loading weight</b>	85 kg	<b>Accessories included</b>	Silicon antislip mat
--------------------------------------	-------	-----------------------------	----------------------

## Electrical Connection

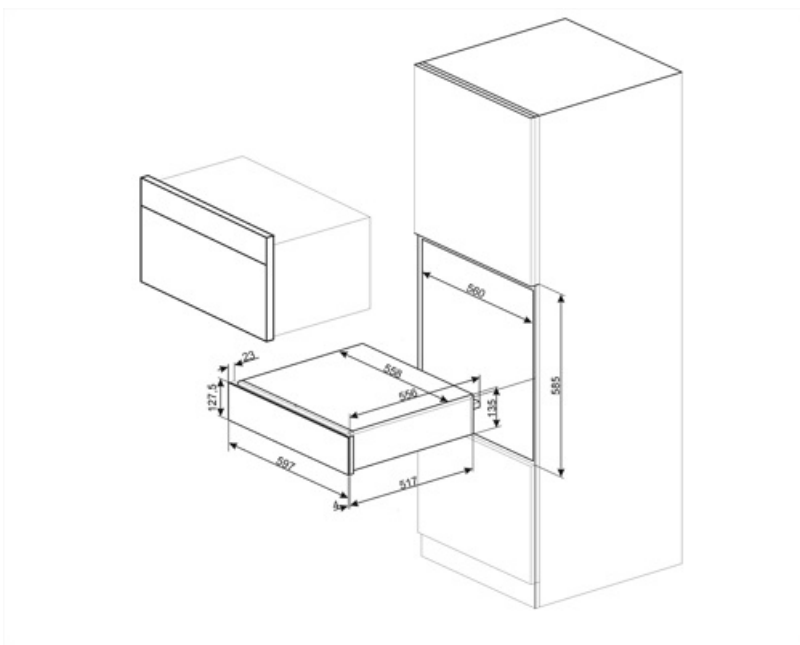
---

<b>Plug</b>	(F;E) Schuko	<b>Voltage (V)</b>	220-240 V
<b>Nominal power</b>	400 W	<b>Frequency (Hz)</b>	50-60 Hz
<b>Current</b>	2 A		

## Logistic Information

---

<b>Width (mm)</b>	597 mm	<b>Product Height (mm)</b>	135 mm
<b>Depth (mm)</b>	538 mm		



---

## Compatible Accessories

---

### KITCABLE90UK

Cable with IEC connector and UK plug

---

## Alternative products

---

**CPR915P**

Colour: Cream



**CPR915N**

Colour: Black



## Symbols glossary

---



Fingerprint proof stainless steel: Fingerprint proof stainless steel keeps stainless steel looking as good as new.