

CPR915X

Product Family	Drawer
Commercial height	14 cm
Type	Reheat



Aesthetics

Aesthetic Colour Finishing Material	Victoria Stainless steel Fingerproof Stainless steel	Type of steel Logo Logo position	Brushed Silk screen Inside
-------------------------------------	---	--	----------------------------------

Controls

Type of control setting	Control knobs	Control knobs	Standard
Type of temperature control	Electro-mechanic	Controls colour	Steel effect
No. of controls	1		

Programme / Functions

Defrost	Yes
Proofing	Yes
Mug warmer	Yes
Keep warm	Yes
Dish warmer	Yes
Reheating	Yes

Technical Features

Opening mechanism	Push-pull	Capacity	21 l
Base material	Stainless steel	Type of heating	Fan assisted
Max weight allowance	15 kg		

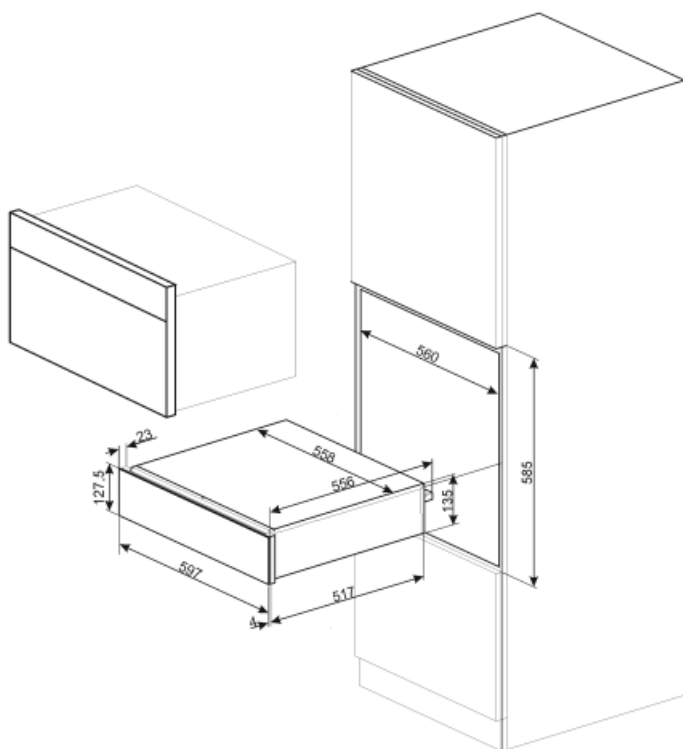
Maximum drawer loading weight	85 kg	Accessories included	Silicone antislip mat
-------------------------------	-------	----------------------	-----------------------

Electrical Connection

Plug	(F;E) Schuko	Voltage (V)	220-240 V
Nominal power	400 W	Frequency (Hz)	50-60 Hz
Current	2 A		

Logistic Information

Width (mm)	597 mm	Product Height (mm)	135 mm
Depth (mm)	538 mm		



Not included accessories

KITCABLE90UK

Cable with IEC connector and UK plug

Benefit (TT)

Functions available

Functions can be selected directly from the knob: keep warm, reheating, defrost, dish warmer, proofing and mug warmer

Steel base

Presence of non-slip silicone mat; removable and useful for placing dishes without them slipping, to avoid soiling the base of the drawer and to prevent scratches.

Push-pull door opening

With a simple push, the drawer opens and then closes again by pushing it back.