

CPR915X

Product Family	Drawer
Commercial height	14 cm
Type	Reheat



Aesthetics

Aesthetic	Victoria	Type of steel	Brushed
Colour	Stainless steel	Logotipo	Logotipo serigrafado
Acabamento	Anti-dedadas	Localização do logotipo	Logotipo no interior
Material	Stainless steel		

Controls

Display	No	No. of controls	1
Type of control setting	Control knobs	Design dos comandos	Comandos Standard
Type of temperature control	Electro-mechanic	Controls colour	Steel effect

Program / Functions

Defrost	Yes
Proofing	Yes
Mug warmer	Yes
Keep warm	Yes
Dish warmer	Yes
Reheating	Yes
Timer	No

Technical Features

Opening mechanism	Push-pull	Capacity	21 l
		Tipo de aquecimento	Ventilacao

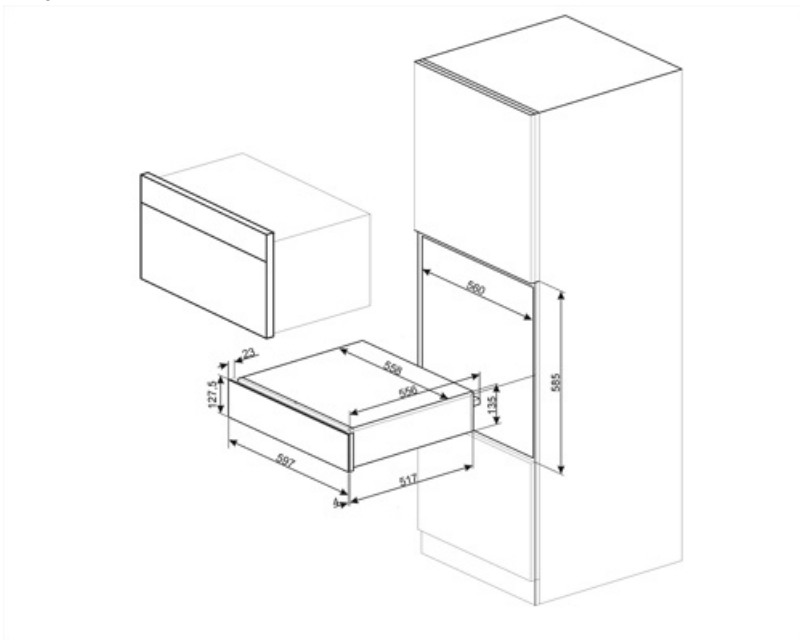
Base material	Stainless steel	Accessories included	Silicone antislip mat
Max weight allowance	15 kg		
Maximum drawer loading weight	85 kg		

Electrical Connection

Plug	(F;E) Schuko	Voltage (V)	220-240 V
Nominal power	400 W	Frequency (Hz)	50-60 Hz
Current	2 A		

Logistic Information

Width (mm)	597 mm	Product Height (mm)	135 mm
Depth (mm)	538 mm		



Compatible Accessories

KITCABLE90UK

Cabo com conector IEC e plugue RU

Symbols glossary



Aço inoxidável à prova de dedadas: O aço inoxidável à prova de dedadas mantém o aço inoxidável com um aspeto novo.

Benefit (TT)

Steel base

Presence of non-slip silicone mat; removable and useful for placing dishes without them slipping, to avoid soiling the base of the drawer and to prevent scratches.

Push-pull door opening

With a simple push, the drawer opens and then closes again by pushing it back.

Functions available

Functions can be selected directly from the knob: keep warm, reheating, defrost, dish warmer, proofing and mug warmer