

# CPRA315MB

Product Family	Drawer
Commercial height	15 cm
Type	Reheat



## Aesthetics

Aesthetic	Classic	Material	Painted material
Colour	Stainless steel	Logo	Embossed
Finishing	Matte black	Logo position	External

## Controls

Type of control setting	Control knobs	Control knobs	Standard
No. of controls	1	Controls colour	Steel effect

## Technical Features

Opening mechanism	Push-pull	Maximum drawer loading weight	85 kg
Base material	Stainless steel	Capacity	21 l
Drawer maximum protrusion	440 mm	Type of heating	Fan assisted
Max weight allowance	15 kg	Accessories included	Silicone antislip mat

## Electrical Connection

Plug	(I) Australia	Voltage (V)	220-240 V
Nominal power	400 W	Frequency (Hz)	50-60 Hz
Current	2 A		

## Logistic Information

Width (mm)

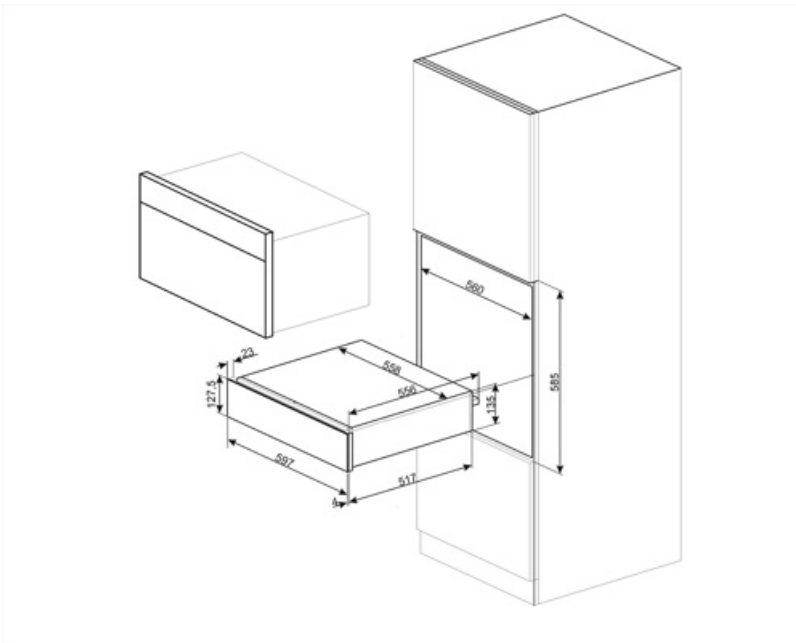
597 mm

Product Height (mm)

135 mm

Depth (mm)

538 mm



## Symbols glossary

---



Fingerprint proof stainless steel: Fingerprint proof stainless steel keeps stainless steel looking as good as new.