

# CPRA315X

Product Family	Drawer
Commercial height	15 cm
Type	Reheat



## Aesthetics

Aesthetic	Classic	Type of steel	Brushed
Colour	Stainless steel	Logo	Embossed
Finishing	Fingerproof	Logo position	External
Material	Stainless steel		

## Controls

Type of control setting	Control knobs	Control knobs	Standard
No. of controls	1	Controls colour	Steel effect

## Program / Functions

Defrost	Yes
Proofing	Yes
Mug warmer	Yes
Keep warm	Yes
Dish warmer	Yes
Reheating	Yes

## Technical Features

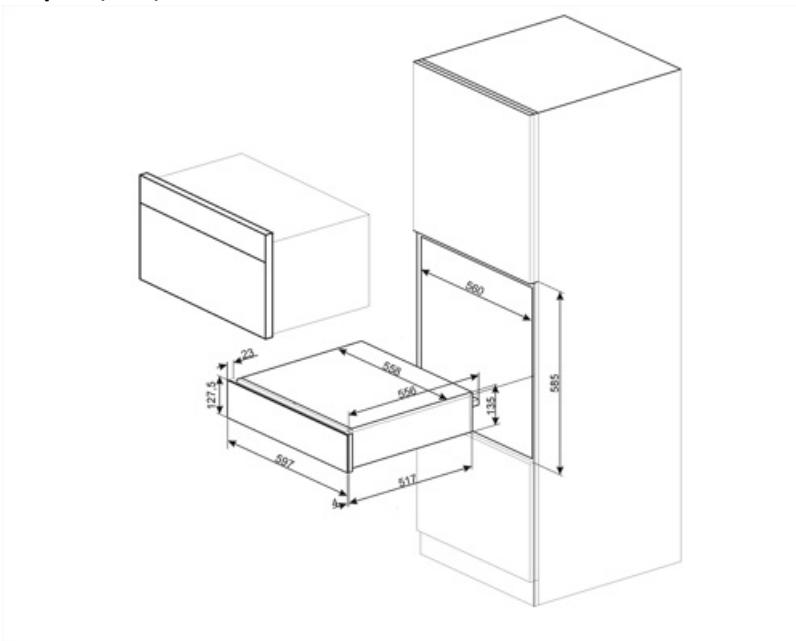
Opening mechanism	Push-pull	Capacity	21 l
Base material	Stainless steel	Type of heating	Fan assisted
Max weight allowance	15 kg	Accessories included	Silicone antislip mat
Maximum drawer loading weight	85 kg		

## Electrical Connection

Plug	(I) Australia	Voltage (V)	220-240 V
Nominal power	400 W	Frequency (Hz)	50-60 Hz
Current	2 A		

## Logistic Information

Width (mm)	597 mm	Product Height (mm)	135 mm
Depth (mm)	538 mm		



---

## Benefit (TT)

---

### **Steel base**

Presence of non-slip silicone mat; removable and useful for placing dishes without them slipping, to avoid soiling the base of the drawer and to prevent scratches.

### **Push-pull door opening**

With a simple push, the drawer opens and then closes again by pushing it back.