

# CPRT115G

Product Family	Drawer
Commercial height	14 cm
Type	Warming/reheat



## Aesthetics

Aesthetics	Linea	Material	Painted material
Colour	Neptune Grey	Logo	Silk screen
Finishing	Neptune Grey	Logo position	External

## Controls

Display	Yes	Type of temperature control	Electronic
Type of control setting	Digi Touch		

## Program / Functions

Defrost	Yes
Proofing	Yes
Low temperature cooking	Yes
Sabbath Mode	Yes
Mug warmer	Yes
Keep warm	Yes
Dish warmer	Yes
Reheating	Yes
Timer	Yes
Delay Timer	Yes

## Technical Features

Opening mechanism	Push-pull	Capacity	21 l
-------------------	-----------	----------	------

---

<b>Base material</b>	Stainless steel	<b>Type of heating</b>	Fan assisted
<b>Max weight allowance</b>	15 kg	<b>Accessories included</b>	Silicon antislip mat
<b>Maximum drawer loading weight</b>	85 kg		

## Electrical Connection

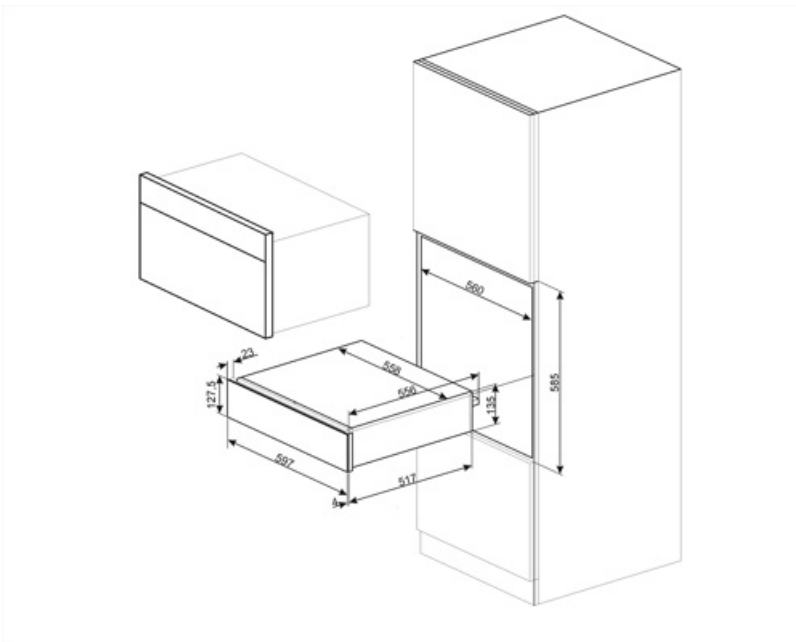
---

<b>Plug</b>	(F;E) Schuko	<b>Voltage (V)</b>	220-240 V
<b>Nominal power</b>	500 W	<b>Frequency (Hz)</b>	50-60 Hz
<b>Current</b>	2 A		

## Logistic Information

---

<b>Width (mm)</b>	597 mm	<b>Product Height (mm)</b>	135 mm
<b>Depth (mm)</b>	538 mm		



---

## Compatible Accessories

---

### KITCABLE90UK

Cable with IEC connector and UK plug